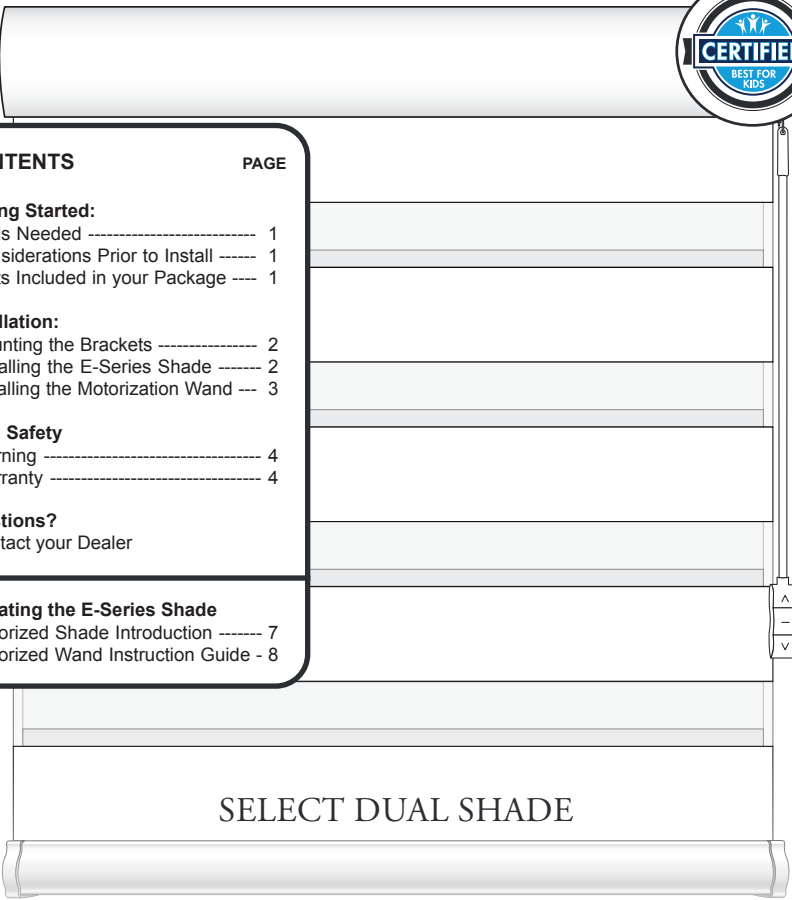




CONTENTS	PAGE
Getting Started:	
• Tools Needed -----	1
• Considerations Prior to Install -----	1
• Parts Included in your Package ----	1
Installation:	
• Mounting the Brackets -----	2
• Installing the E-Series Shade -----	2
• Installing the Motorization Wand ---	3
Child Safety	
• Warning -----	4
• Warranty -----	4
Questions?	
• Contact your Dealer	
Operating the E-Series Shade	
• Motorized Shade Introduction -----	7
• Motorized Wand Instruction Guide -	8



SELECT DUAL SHADE

Thank you for Choosing our Dual E-SERIES Shade for your Home or Office.

We are confident that you will find these Dual Shades to be of superior quality and value, compared to other shades available.

In this guide, you will find useful information about installation, child safety, cleaning, and warranty when using our shades.

READ ALL INSTALLATION INSTRUCTIONS BEFORE INSTALLATION

Contacting Us:

Contact your Dealer regarding any question or concerns about your product.

PLEASE KEEP FOR FUTURE REFERENCE / TROUBLESHOOTING

SUGGESTED TOOLS (not included)



DRILL

1/16" drill bit,
and 1/4"
hex driver



SCREWDRIVER

Flat blade, Phillips, or
1/4" hex driver



LEVEL



TAPE MEASURE



PENCIL



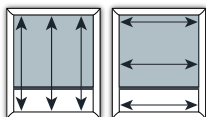
LADDER

THINGS TO CONSIDER BEFORE YOU BEGIN YOUR INSTALLATION

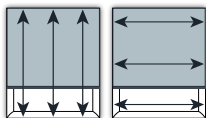
Your new shade is custom made to your specifications from the finest fabrics available. The installation should be easy and your shade will look elegant.

Mounting Options:

Inside mount: Shade is mounted inside to the top of the window frame.



Outside mount: Shade is mounted either on or outside the window frame.



Mounting NOTES:

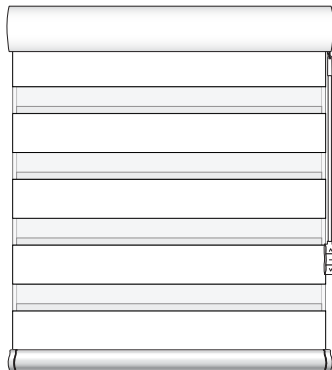
- Mounting screws provided are suitable for most mounting surfaces. See below for additional suggestions.
- For wallboard or plaster: Use hollow wall anchors for added support. (not included)
- For concrete, stone, brick or tile: Use an appropriate drill and appropriate anchors before fastening the screws. (not included)
- For metal surfaces: Pre-drill holes and use appropriate anchors before fastening the screws. (not included)

Motorized Wand NOTES:

- Before the use of the shade, make sure the wand is attached to the headrail. If it is not, unpack the wand and hook onto the provided location.
- Plug the Micro USB into the port at the end of the headrail. (see image 2 on page 3)
- We suggest that you charge the shade prior to installation.
- After Installing the shade, charge via the Micro USB port on the back of the wand for 5-7 hours for a full charge. The Wand is in charge mode when the Light on the wand is amber. When fully charged, the light shifts to green.

INCLUDED IN YOUR PACKAGE

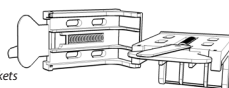
Select Motorized Dual Shade



Brackets

Quantity: Minimum 2

The wider the shade the more brackets



- A Shade 39" or less come with 2 brackets
 - A Shade 78 3/4" or less come with 3 brackets
 - A Shade greater than 78 3/4" come with 4 brackets
- Your shade will come with two shims to use in case the mounting area is not level. Place them under the higher side of the mounting area as needed to level out the area.

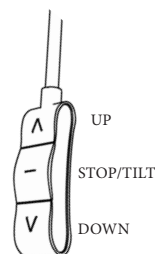
Screws

Quantity: 4 per bracket



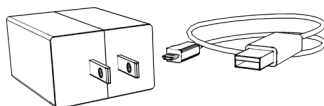
Motorization Wand

Quantity: 1 per shade



Charging Brick / Micro USB

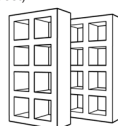
Quantity: 1 (6' cable provided) per shade



OPTIONAL PARTS: (supplied upon request)

Spacer Blocks

Use for shades that need more space between the wall.

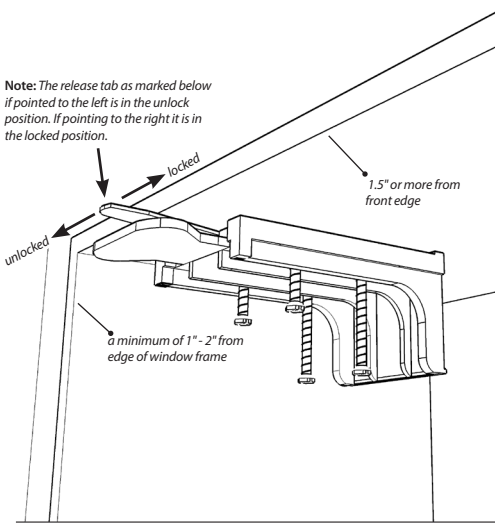


1 MOUNTING BRACKETS

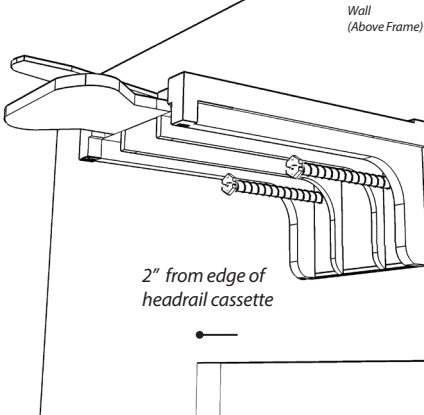
Installing Brackets:

Inside mount: Mount brackets a minimum of 1" - 2" away from the edges of the product depending on the overall width of the shade.

Note: The release tab as marked below if pointed to the left is in the unlock position. If pointing to the right it is in the locked position.



Outside Mount: Outside edge of the brackets should be positioned at a minimum of 2" from the outside of the headrail cassette, note the sticker on the headrail cassette. Use wall anchors for a secure hold. Mark the position of the bracket as illustrated.

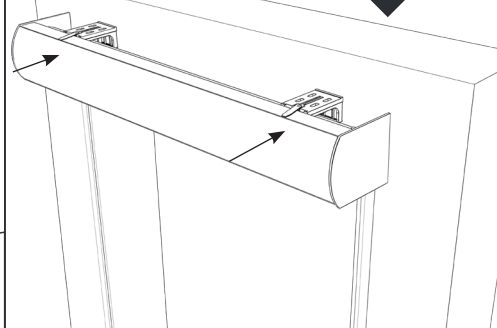


2 INSTALLING THE SHADE

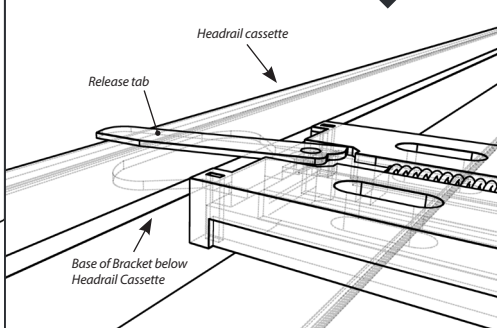
Install each bracket with the provided screws per bracket.

Slide headrail cassette into the brackets, be aware that the release tab should be above the top of the headrail cassette so it can be accessed to release the shade.

slide the shade into the brackets and it will "SNAP" into place



the shade should sandwich between top and bottom of bracket



the top of the shade should look like the referenced image below



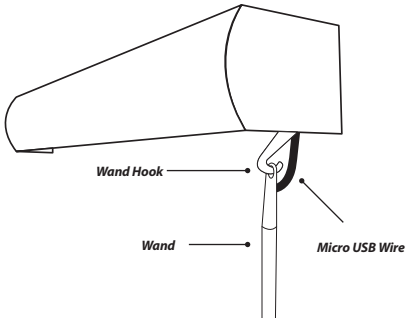
3 WAND INSTALLATION

Place open end of wand around hook hanging from the headrail. (see image 1).

Keep in mind that the button side of the Wand is facing forward. Plug the Micro USB into the headrail. (see image 3)

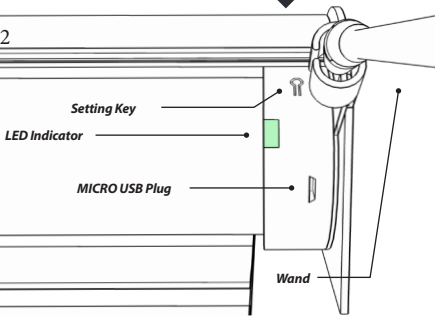
angle shade and it will snap into place

1



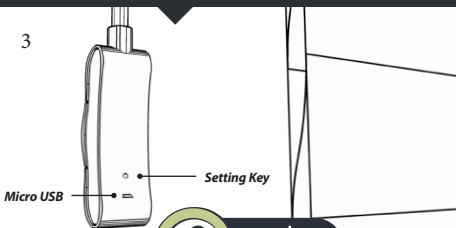
connect control wand into headrail / plug in to the motor

2



charge and program your shade via the wand

3

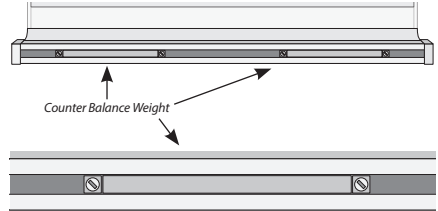


REFER TO INSTRUCTION MANUAL FOR PROGRAMMING DIRECTIONS

4 ADJUSTING COUNTER BALANCE WEIGHTS

To prevent uneven raising (Telescoping) of your Dual Shade you can adjust the counter balance weights on the bottom side of the bottom rail.

Select Dual Shade Bottom Rail



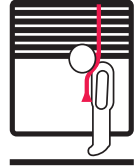
To adjust weight, gently unscrew each screw on the ends of each weight. Slide the weight left or right to the desired position, taking care to equally space the weights from the ends. Test by raising the shade and look for an even raise. If shade raises slightly tilted to one side adjust the appropriate weight to the desired position and test the shade again. Once shade is balanced screw weight locks back down.



WARNING

Window Shade Cord Can STRANGLE Your Child.

Keep cords out of children's reach. Shorten cords to prevent reach. Move crib and furniture away - Children can climb furniture to reach cords.



La cuerda de la persiana puede ESTRANGULAR a su niño.

Mantenga las cuerdas fuera del alcance de los niños. Acorte las cuerdas para evitar el alcance. Mueva la cuna y los muebles - Los niños pueden subir los muebles para alcanzar las cuerdas.

CHOKING HAZARD

- Keep cord out of reach from children.
- Remove objects below window.
- Do not tie cords together.
- Make sure safety cords are located 1-2 inches below the headrail.
- Please reference all warning tags in the instructions and on the shade.
- Please keep cords out of children and pets reach, a cord cleat or a cord tensioner device can be found at a local window covering store.

EMERGENCY FIRST AID FOR STRANGULATION



- Remove cord from child's neck
- Call 911 or an emergency Call Center
- Clear the throat
- Check breathing and heartbeat
- Begin CPR if trained

NOTE:

The Warning labels on the bottom-rails of corded window coverings contain important safety information. These warning labels are designed to be permanent, in accordance with the industry's safety standards, and must not be removed.



WARNING: THE E-SERIES PRODUCT CAN EXPOSE YOU TO CHEMICALS INCLUDING CARBON BLACK (CAS NO. 1333-86-4) WHICH IS KNOWN TO THE STATE OF CALIFORNIA TO CAUSE CANCER. FOR MORE INFORMATION GO TO WWW.P65WARNINGS.CA.GOV

WARRANTY:

We offer a 2 year warranty on the Dual E-Series motor and controls. Specifically, we warrant the Dual E-Series motor and wand control to be free from defects in material and workmanship under normal and proper use for a period of 2 years commencing with the date stamped on each product. If the product fails within this 2 year period, we will repair or replace it free of charge through your end product supplier. Batteries are not covered by the warranty.



Motorized Wand

TECHNICAL SPECIFICATIONS

- Rated Voltage: 12v
- Micro USB
 - Charge port on back of wand
- Setting Key Button



WE HOPE YOU HAVE FOUND THIS INSTRUCTION GUIDE HELPFUL.

QUESTIONS?

Contact your Retail Dealer regarding any questions you may have about your E-SERIES Window Covering.



WARNING: THE E-SERIES WINDOW COVERING CAN EXPOSE YOU TO CHEMICALS INCLUDING CARBON BLACK (CAS NO. 1333-86-4) WHICH IS KNOWN TO THE STATE OF CALIFORNIA TO CAUSE CANCER. FOR MORE INFORMATION GO TO WWW.P65WARNINGS.CA.GOV



*Motorized
Wand*

TABLE OF CONTENTS

Getting Started

NOTE: Your E-Series Window Covering will come ready to be installed and used without any programming needed, use the instructions in this guide to assist you.

Operating the Remote

• Motorized Wand Instruction Guide ----- 8

Questions?

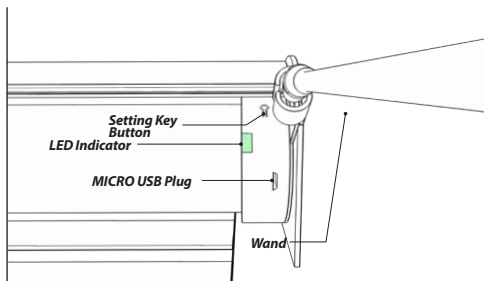
Contact your Retail Dealer regarding any questions you may have about your E-SERIES Window Covering.

PLEASE KEEP FOR FUTURE REFERENCE / TROUBLESHOOTING

WELCOME TO YOUR E-SERIES WINDOW COVERING

E-SERIES MOTOR NOTE:

The E-SERIES Motor can be found in the headrail of your E-Series Window Covering. Ensure that all connections are connected prior to installation, this will prevent future need to remove the Window Covering from the installed location.



NOTE: Picture depicts underside of the headrail

WAKE YOUR E-SERIES WINDOW COVERING

Press, STOP/TILT for 2 seconds to wake your Window Covering.

SETTING KEY BUTTON NOTE:

The **Setting Key Button** can be found on the **Motor inside the headrail** of your E-Series Window Covering and at the back of the Motorized Wand (reference figure 1). A paper clip or rounded pointy object can be used to troubleshoot the function of the Window Covering.

If your **Motorized Wand** is attached, there is a small pinhole **Setting Key Button** on the back just above the Micro USB port. Use this in-place of the Setting Key Button in the headrail, as this may be difficult to reach.

Figure 1



Setting Key Button

Horizontal Shade



Setting Key Button

Back of Motorized Wand

The Setting Key Button needs to be released at the final specified jog to allow for the Window Covering to beep in understanding of the configuration requested.

Jog: 1 small movement from the motor indicating the device is configuring

NOTE: An orange light indicates charging, a green light indicates fully charged and ready to use.

Motorized Wand

UP

STOP
TILT

DOWN

SETTING
KEY
BUTTON

USB
CHARGING
PORT

The Setting Key Button needs to be released at the final specified jog to allow for the Window Covering to beep in understanding of the configuration requested.

Jog: 1 small movement from the motor indicating the device is configuring | Most setting requests consist of 2 jogs

MOTORIZED DUAL SHADE PROGRAMMING INSTRUCTIONS

NOTICE: ALL SHADES COME PRE-PROGRAMMED FROM THE FACTORY. THIS GUIDE SERVES AS A TROUBLESHOOTING AID. IF THE CONSUMER RESETS THE PROGRAMMING, TECHNICAL SUPPORT WILL BE AT THE DISCRETION OF THE MANUFACTURER.

Setting Lift Heights

(This section is for setting the lift heights after the shade has undergone a full system reset. For instructions adjusting an already set lift height see the next section.)

For Top:

- Press and hold the up button for two seconds and the shade will begin to rise. A single push of the button in this mode will only jog the shade up a few inches. When the shade reaches your desired top height press the middle stop button. Press and hold the stop and up buttons at the same time looking for the shade to jog twice and beep once confirming the top height being set.

For Bottom:

- Press and hold the down button for two seconds and the shade will begin to lower. A single push of the button in this mode will only jog the shade down a few inches. When the shade reaches your desired bottom height press the middle stop button. Press and hold the stop and down buttons at the same time looking for the shade to jog twice and beep once confirming the bottom height being set.

Adjusting Lift Heights

(This section is to adjust lift heights of an already programmed shade.)

For Up:

- Press and hold the stop and up buttons for 10 seconds looking for a single jog. The shade is now temporarily in adjustment mode and single pushes of the up or down will raise and lower the shade in small increments. Press and hold the up button for two seconds and the shade will begin to raise. Press the stop button at the desired height. Press and hold the stop and up buttons for two seconds looking for two jogs and one beep. The new top height is set.

For Bottom:

- Press and hold the stop and down buttons for 10 seconds looking for a single jog. The shade is now temporarily in adjustment mode and single pushes of the up or down will raise and lower the shade in small increments. Press and hold the down button for two seconds and the shade will begin to lower. Press the stop button at the desired height. Press and hold the stop and down buttons for two seconds looking for two jogs and one beep. The new bottom height is set.

(If heights are not set within one minute of initialization the system will timeout and the motor will default back to the last used top and bottom heights)

Switching Between Jog and Full Motion Modes

Jog Mode allows for the shade to lower or raise in small increments with a single push of the appropriate button. A three second push in Jog Mode will raise or lower completely. Full Motion Mode will raise or lower the shade completely with a single button push.

To change between modes press and hold the up and down buttons on the wand for 3 seconds waiting for one jog and three beeps confirming the change.

Changing Lift Directions

Press and hold the wand reset button for 6 seconds waiting for two separate single jogs. Release immediately after the second jog listening for two beeps. The lifting directions have now been reversed. Sheer opening is not available in this configuration. Shade can open and close but cannot tilt.

Full System Reset

(This section is for completely resetting the shade. This should only be done as a last resort when all other solutions have failed.)

To fully reset all settings on the shade press and hold the reset button on either the motor or wand for 15 seconds looking for three separate sets of jogs followed by three beeps. All settings have now been reset on the shade. Follow the following steps below with the instructions above to re-initialize your shades.

Initializing Your Shade:

1. Reverse Shade Direction (Only if reset occurred on the motor. If the reset occurred on the control wand disregard)
2. Set Top Height
3. Set Bottom Height
4. Switch from Jog Mode to Full Motion Mode if desired
5. Enjoy Your Shade



Motorized Wand

TECHNICAL SPECIFICATIONS

- Rated Voltage: 12v
- Micro USB
 - Charge port on back of wand
- Setting Key Button



WE HOPE YOU HAVE FOUND THIS INSTRUCTION GUIDE HELPFUL.

QUESTIONS?

Contact your Retail Dealer regarding any questions you may have about your E-SERIES Window Covering.



WARNING: THE E-SERIES WINDOW COVERING CAN EXPOSE YOU TO CHEMICALS INCLUDING CARBON BLACK (CAS NO. 1333-86-4) WHICH IS KNOWN TO THE STATE OF CALIFORNIA TO CAUSE CANCER. FOR MORE INFORMATION GO TO WWW.P65WARNINGS.CA.GOV