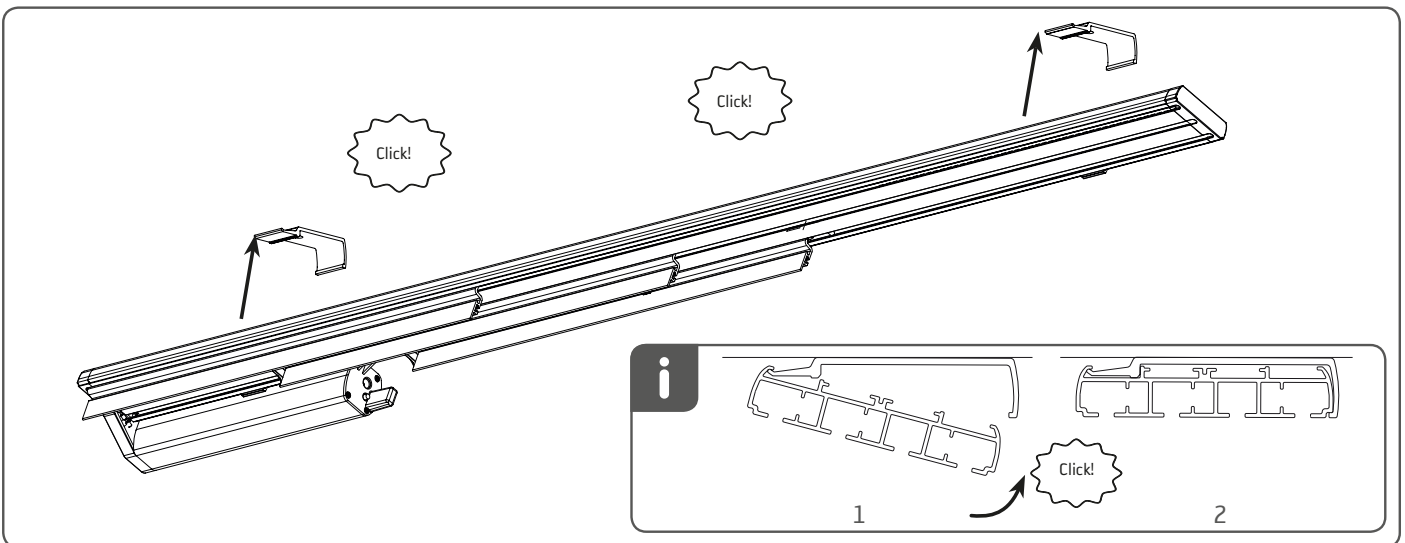
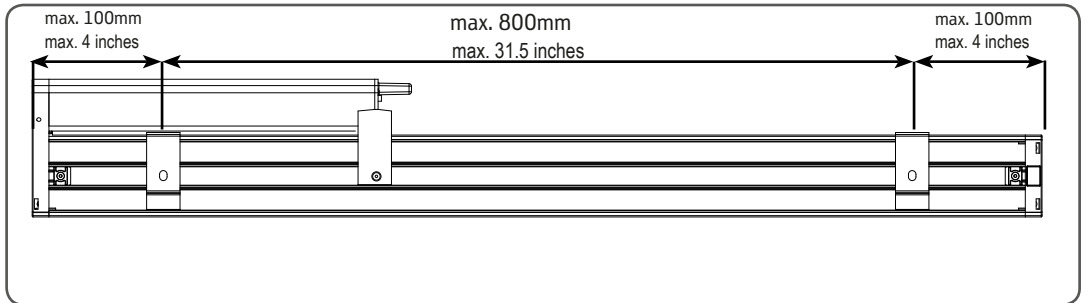
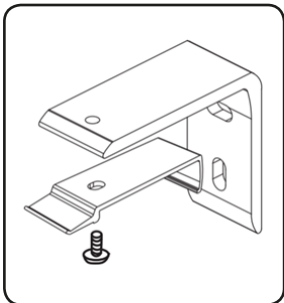
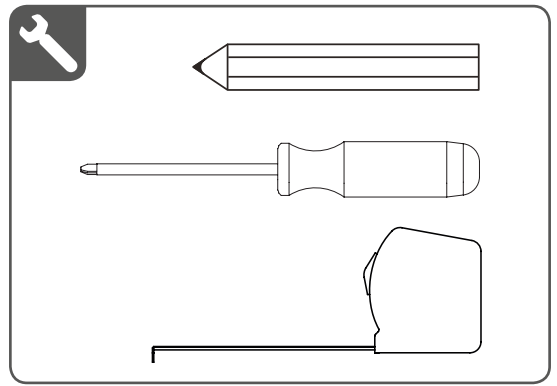
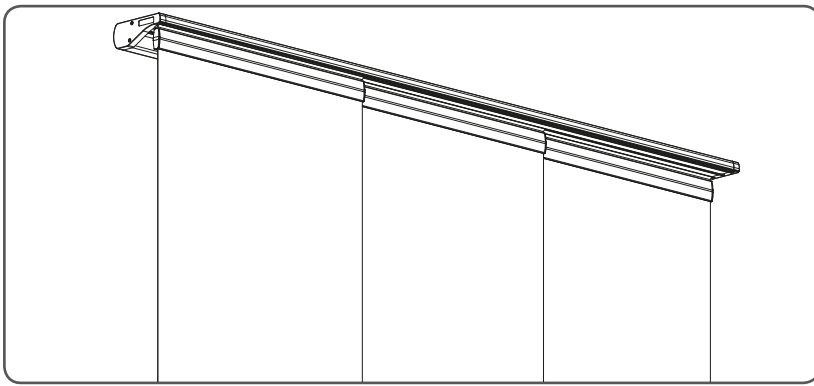
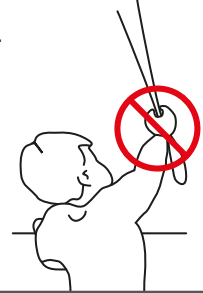


Installation - Panel Track with Motorization

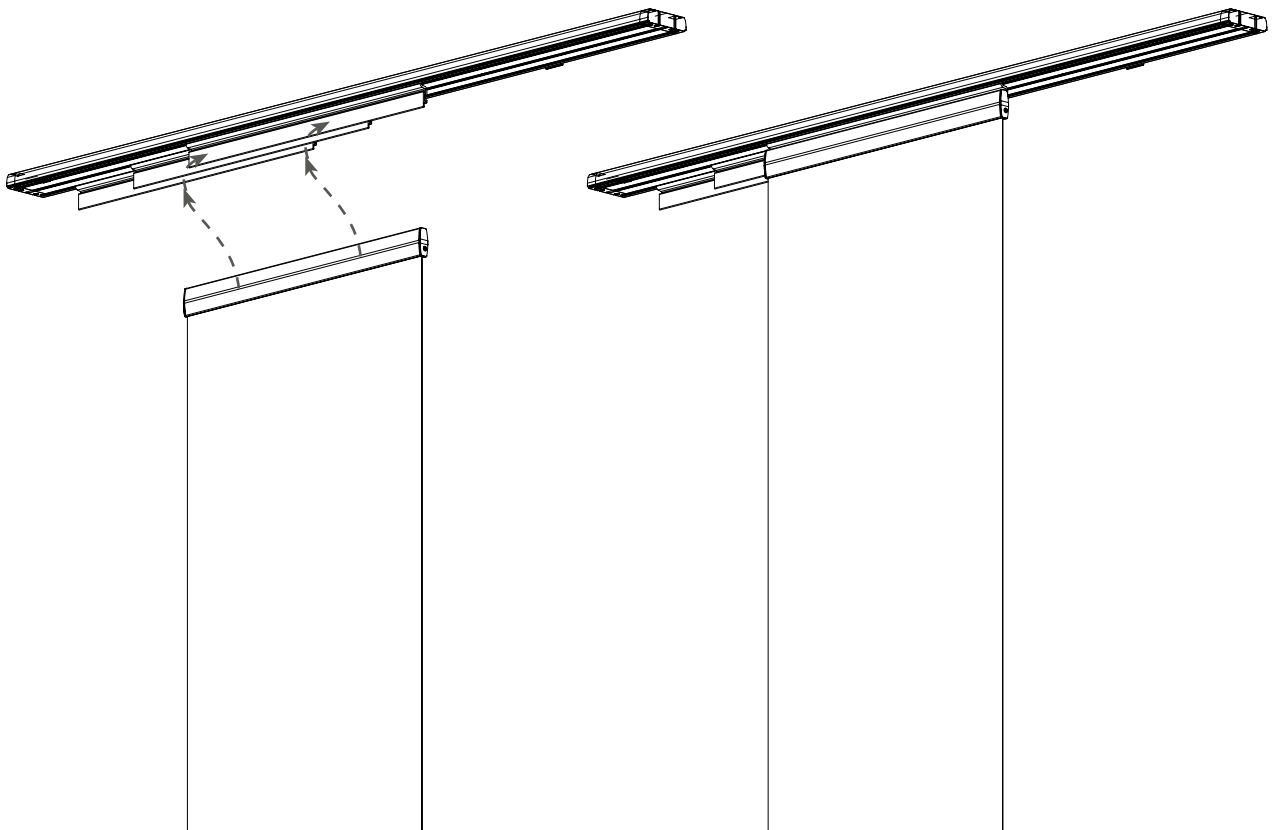
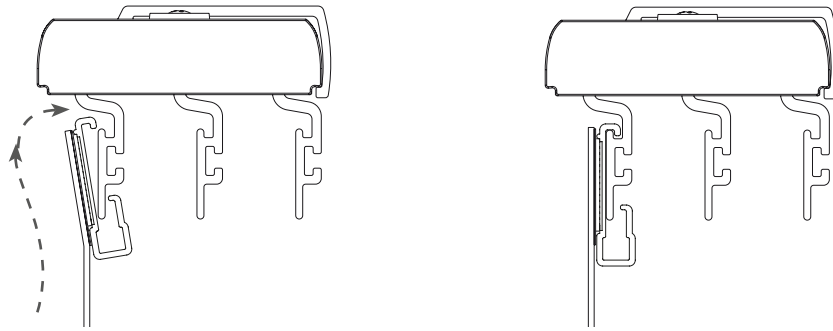
Read the instructions carefully before assembling and using the product. Assembling process can be completed by non-professionals. For indoor use only.

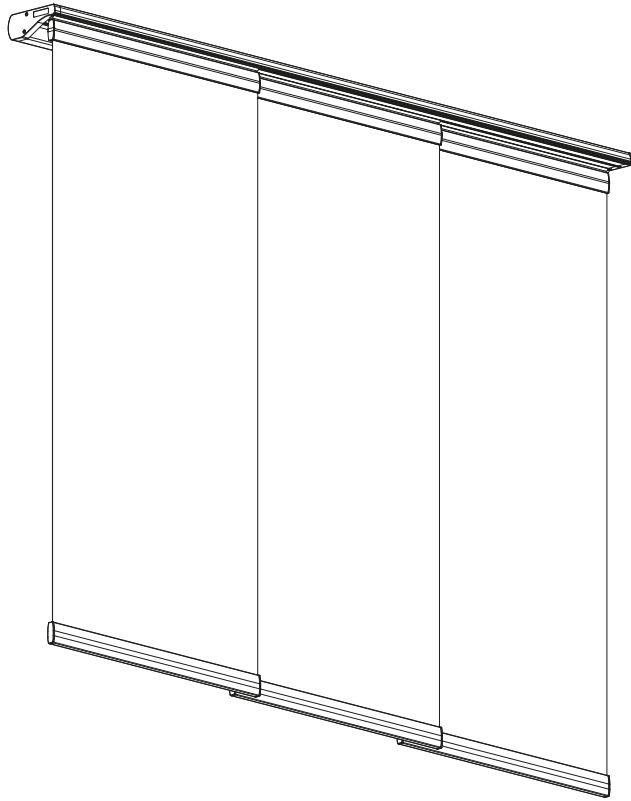
⚠ WARNING

- Young children can strangle in the loop of pull cords, chains and tapes, and cords that operate window coverings.
- To avoid strangulation and entanglement, keep cords out of the reach of young children.
Cords may become wrapped around a child's neck
- Move beds, cots and furniture away from window covering cords.
- Do not tie cords together.
Make sure cords do not twist together and form a loop.

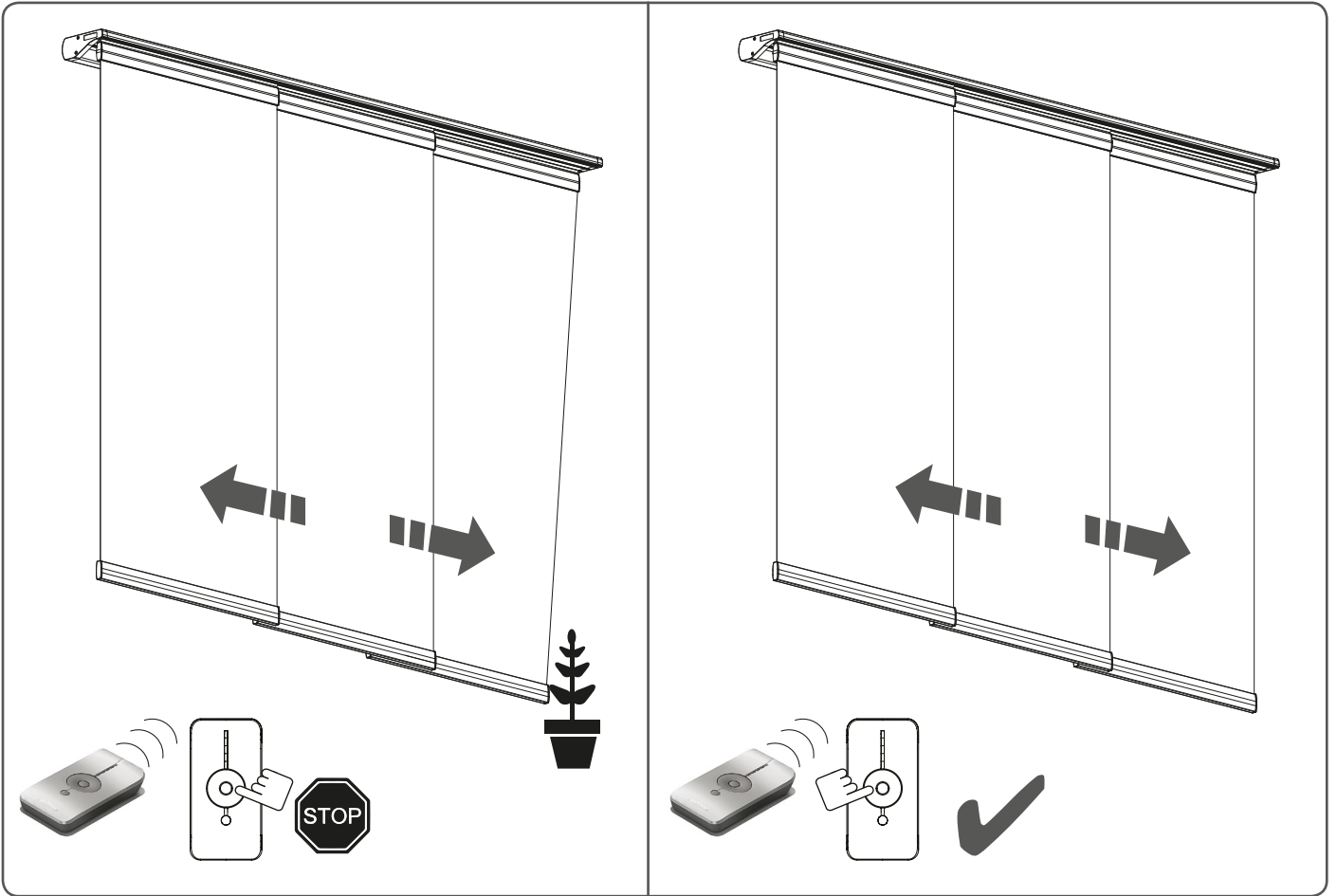


Hanging panel with velcro





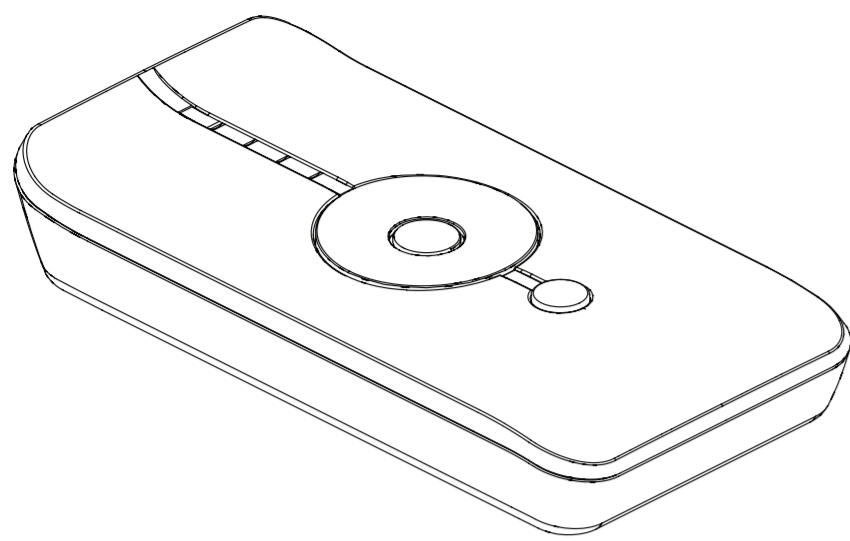
Control



Take care that the blind can move freely and is not blocked by objects.

Manual

Remote control



WARNING: Important safety instructions. Follow all instructions, since incorrect installation can lead to severe injury.

WARNING: Do not make repairs yourself. Do not attempt to open the device or disassemble it. You run the risk of electric shock and voiding the limited warranty. No user-serviceable parts are inside.

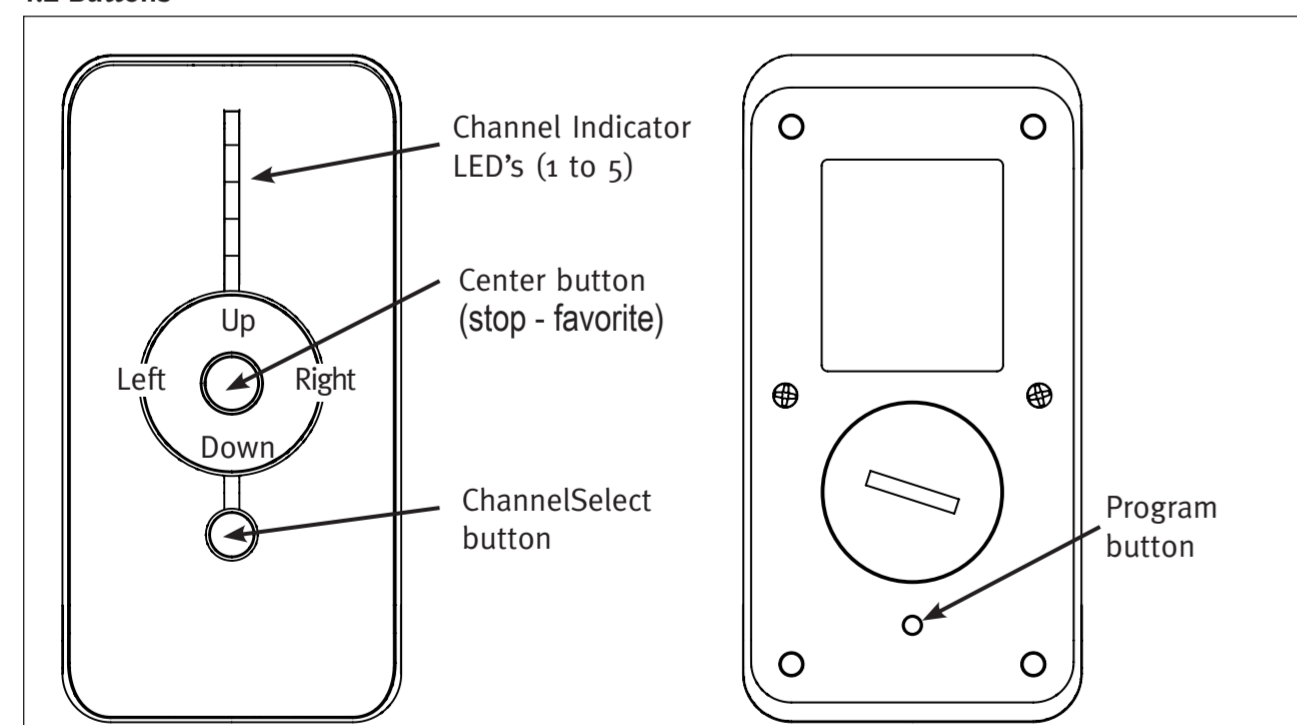


1. General information

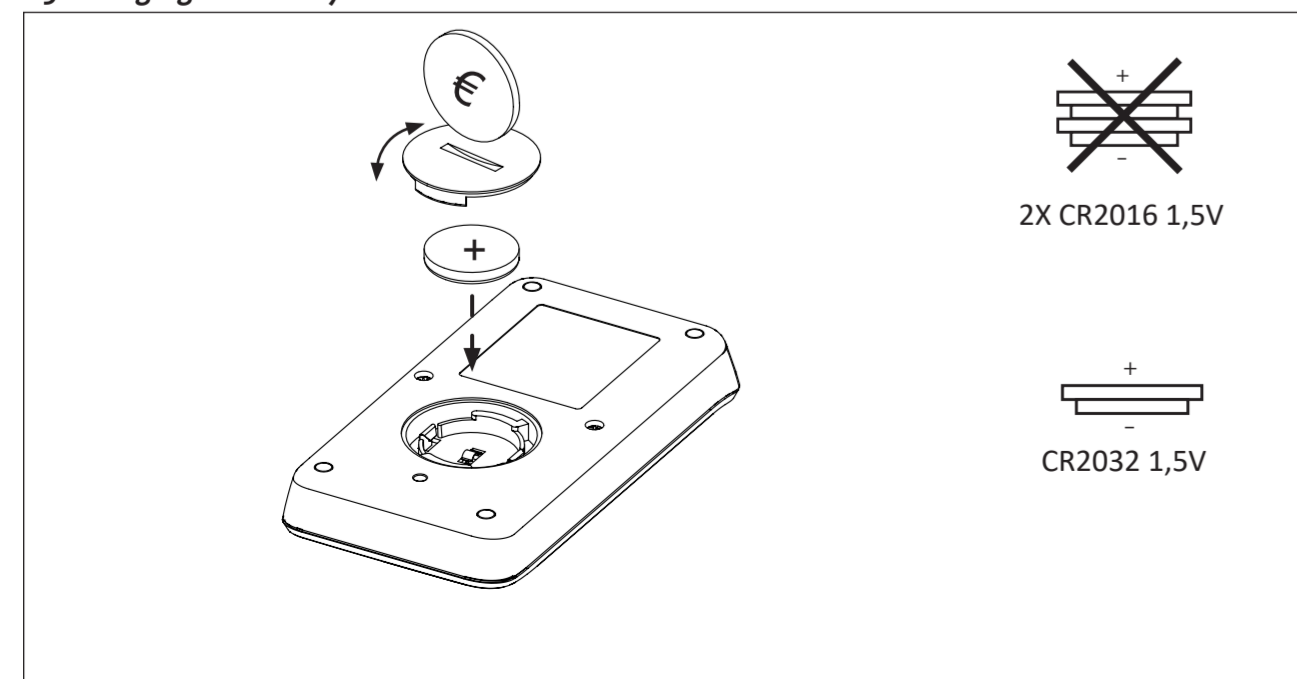
1.1 Performances

ABC-01	
Battery	CR2032 1.5V
Channels	5
Max. blinds per channel	infinite
Range (inside building)	20m, 2 concrete walls
Frequency	2.4 GHz
Weight	56 grams

1.2 Buttons



1.3 Changing the battery



2. Programming

To program a blind:

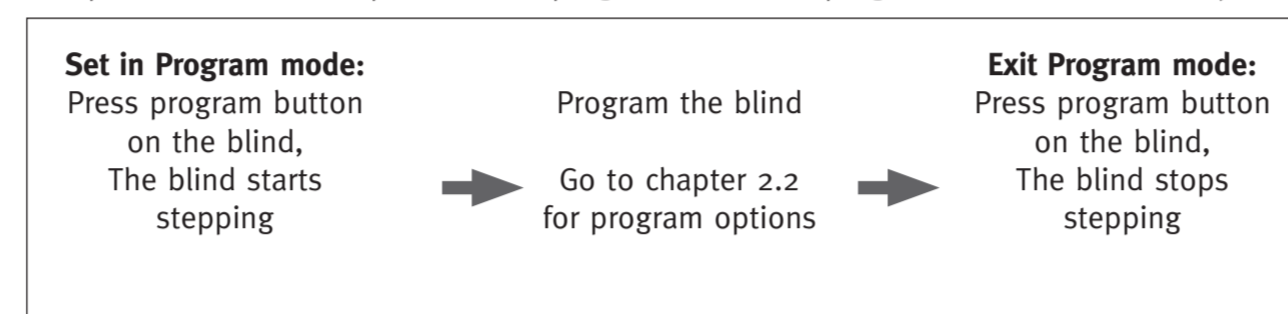
1. Set blind in program mode, chapter 2.1
2. Program the blind, chapter 2.2
3. Exit the program mode, chapter 2.1

2.1 Set a blind in program mode

Setting a blind in program mode can be done in three ways. If a blind is in program mode it will show a stepping motion. The blind can still be operated with the buttons. If a program action is confirmed, the blind stops stepping for 3 seconds. A blind will exit the program mode automatically after 4 minutes.

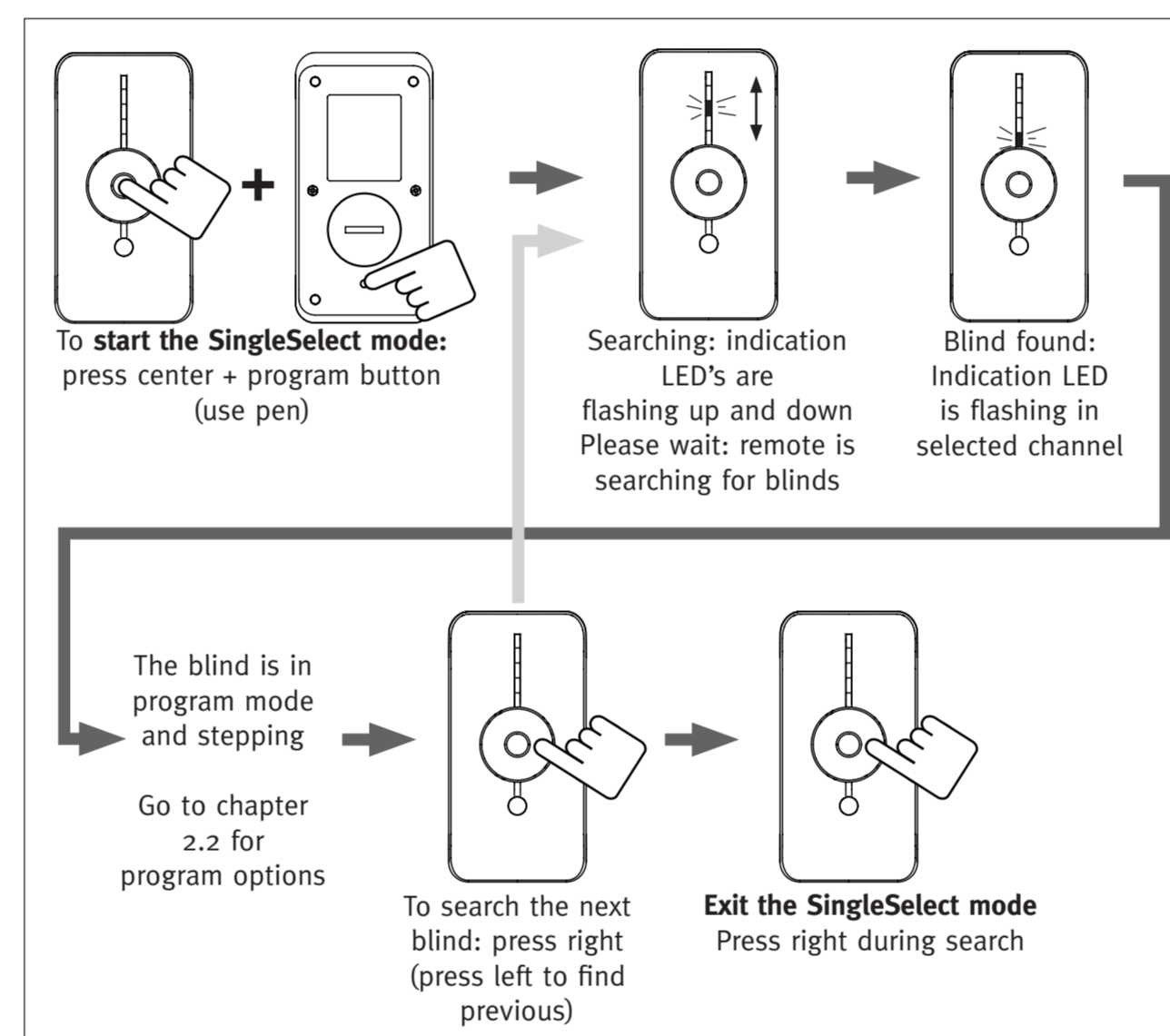
1. By hand: press the program button on the blind

It is possible to set multiple blinds in program mode and program them simultaneously.



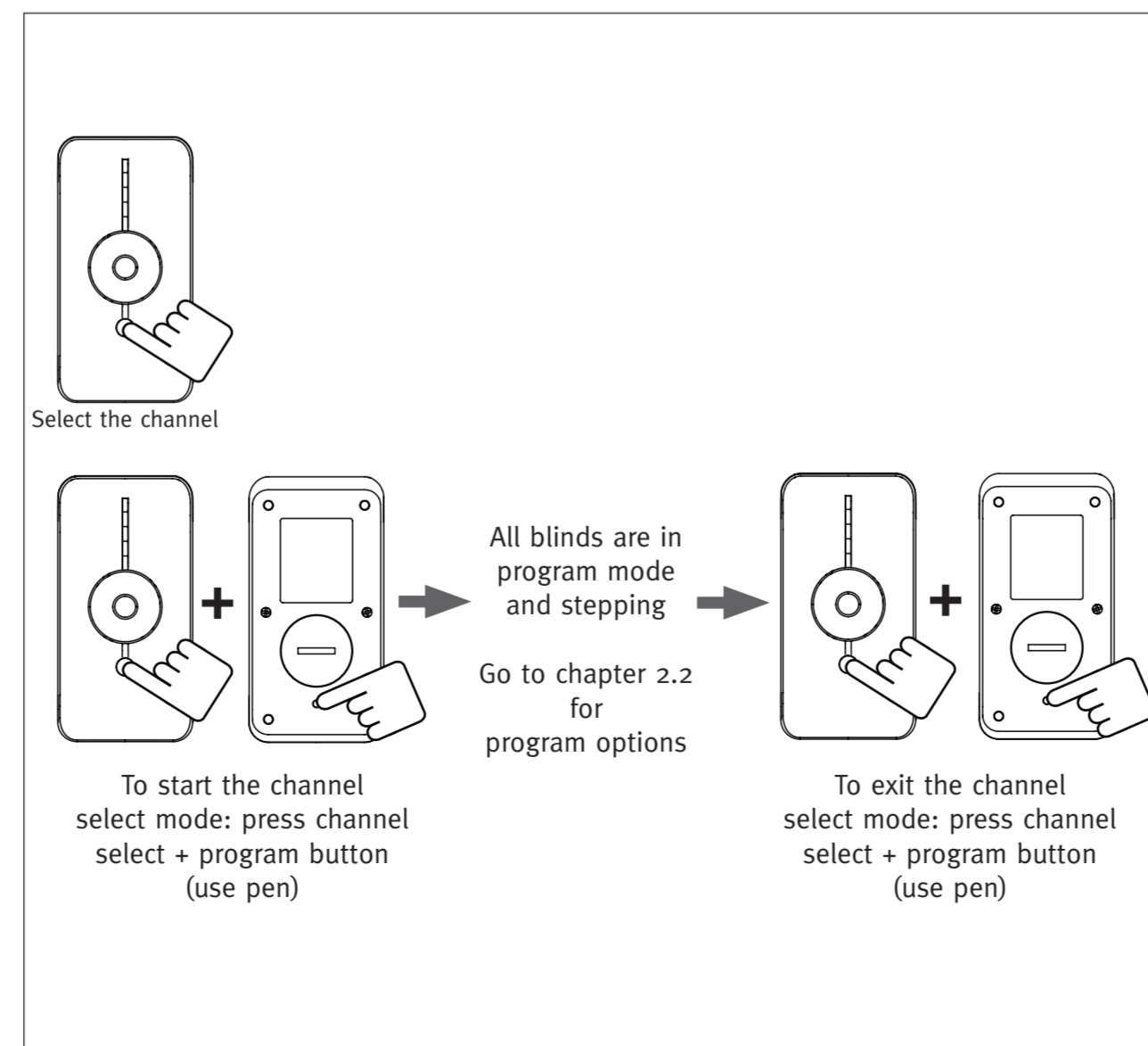
2. By remote: SingleSelect mode

The SingleSelect mode is a patented method to set a blind in program mode by remote control. When a remote and blind are in SingleSelect mode, the blind can be operated, paired to one or more channels and programmed. Other blinds are disconnected from the remote, until the SingleSelect mode has ended.



3. By remote: ChannelSelect

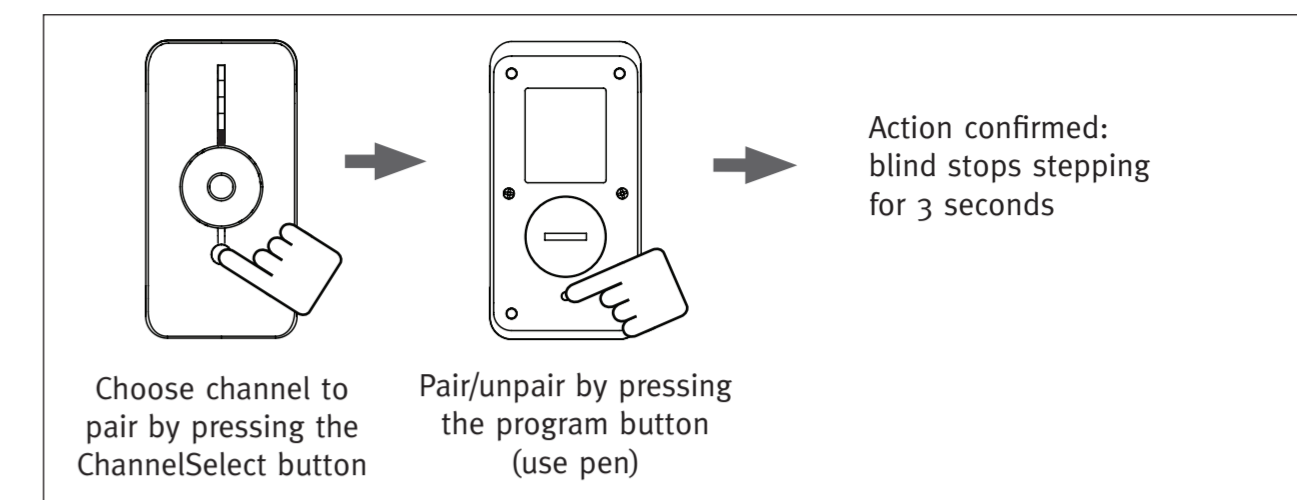
ChannelSelect is a method to set all blinds that are paired in the same channel, into program mode.



2.2 Programming a blind

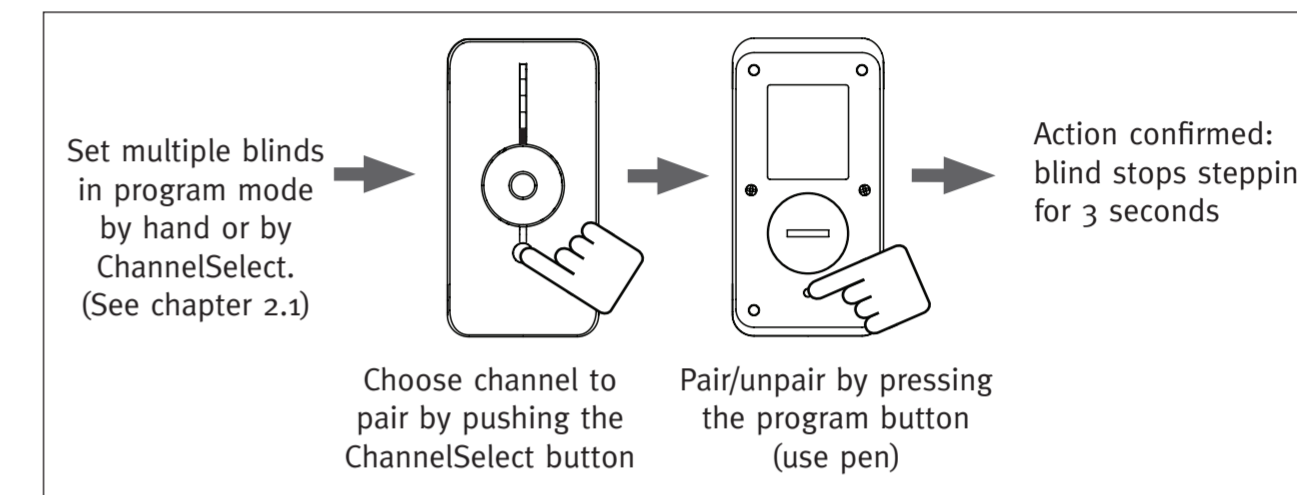
1. Pair a blind to a channel

To pair a blind to a channel, the blind must be in program mode. See chapter 2.1 how to set a blind in program mode and exit program mode.



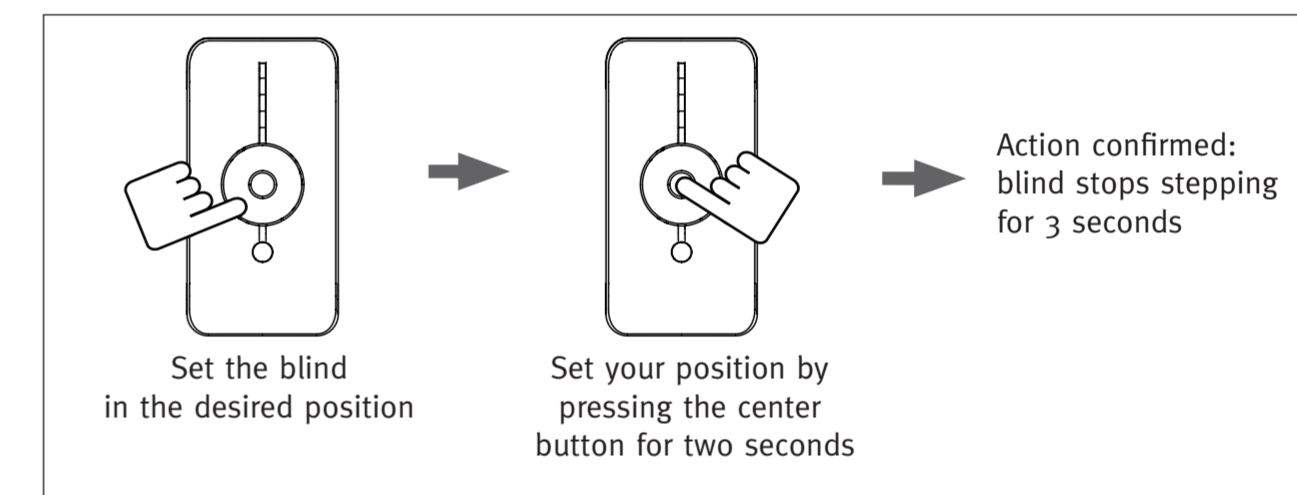
2. Pair multiple blinds simultaneously to a channel or other remote

To pair multiple blind simultaneously to a channel or other remote, all blinds must be in program mode. See chapter 2.1 how to set a blind in program mode and exit program mode. Pairing multiple blinds simultaneously to a channel is not possible for Singleselect



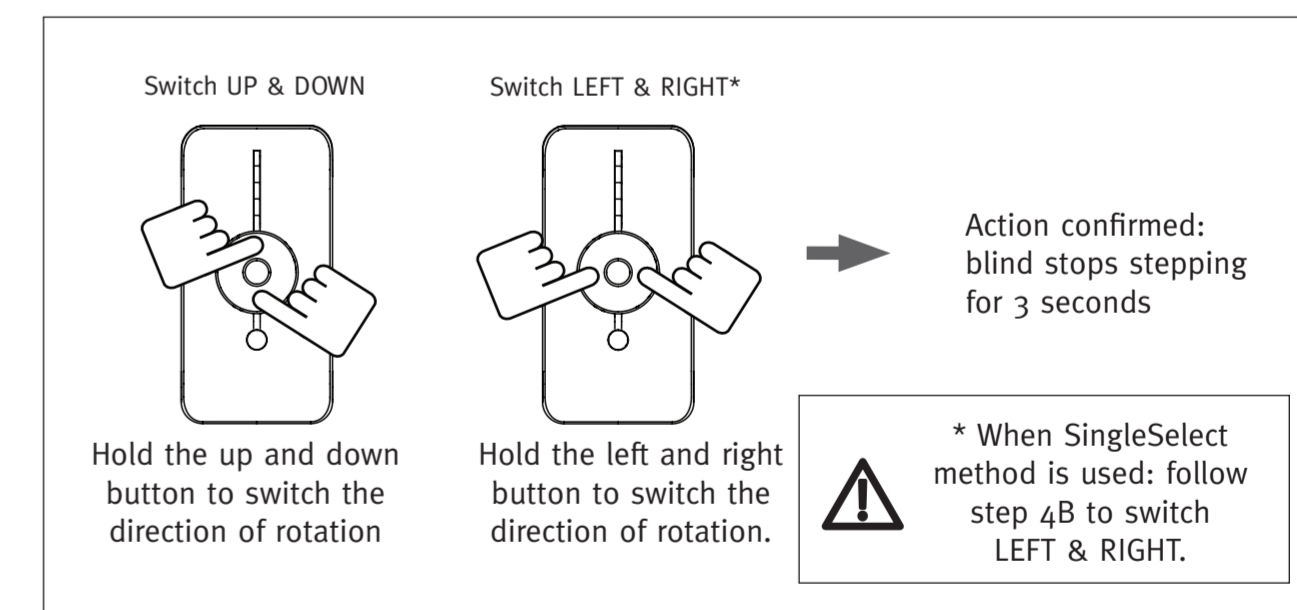
3. Set the favorite position

To program a blind, the blind must be in program mode. See chapter 2.1 how to set a blind in program mode and exit program mode.

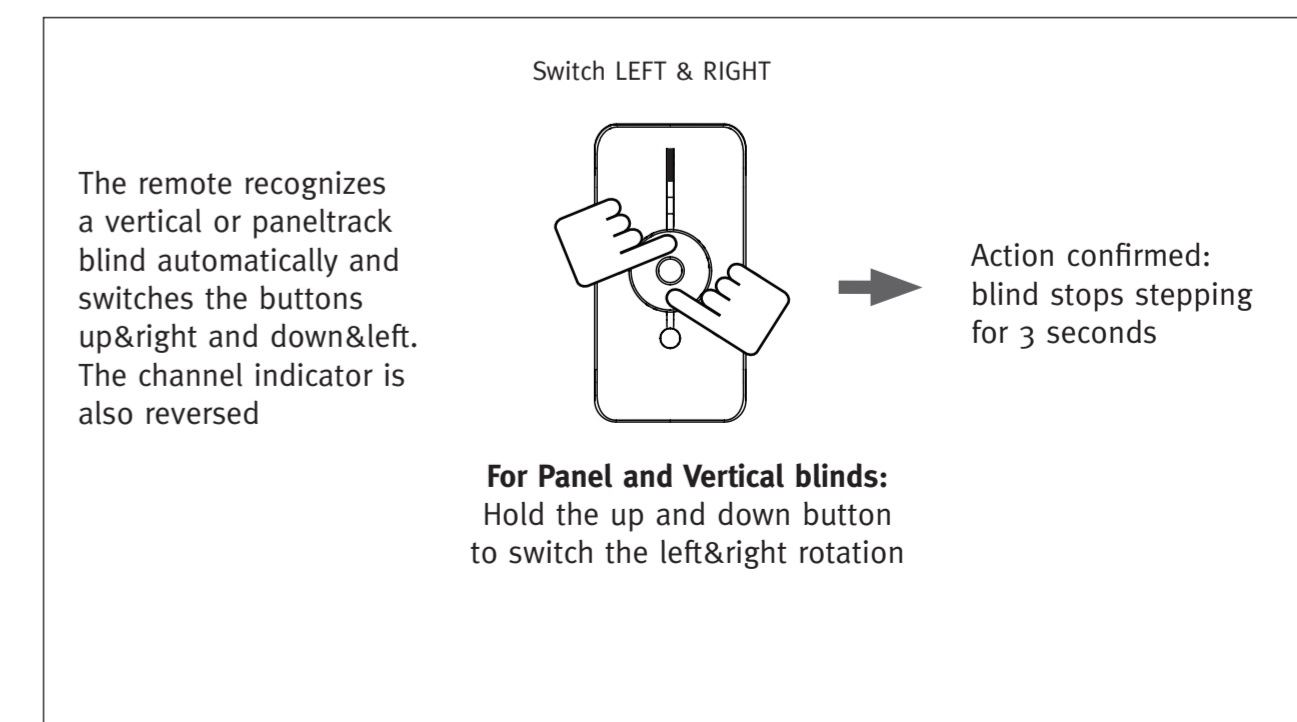


4A. Switch the blind's direction of rotation

To program a blind, the blind must be in program mode. See chapter 2.1 how to set a blind in program mode and exit program mode. Example: when you press left/down on the remote and your blind moves to the right/up, you have to switch the rotation direction of the blind.



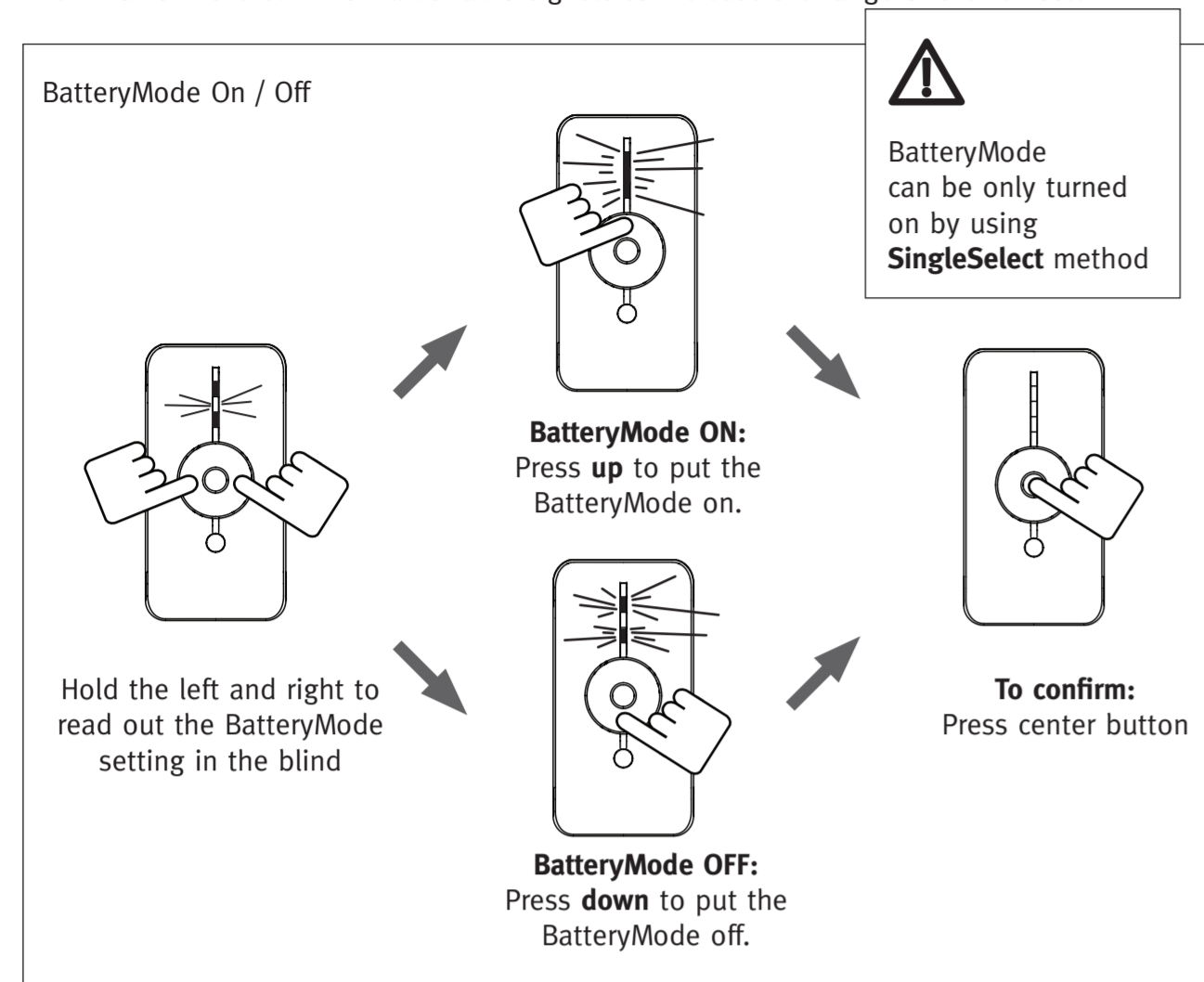
4B. SingleSelect mode: Switch direction of rotation for panel and vertical blinds



5. Set blind in BatteryMode (Greenmode)

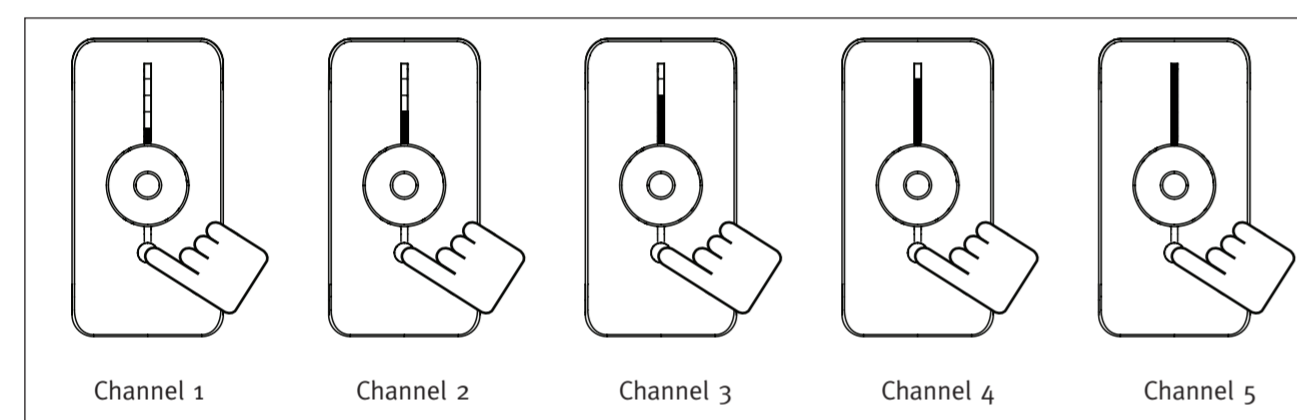
To program a blind, the blind must be in program mode. Important: BatteryMode can be only turn on by using SingleSelect method, see chapter 2.1 how to set a blind in program mode exit program mode by single select.

The RF-unit in the blind forwards radio signals to increase the range of the remote.



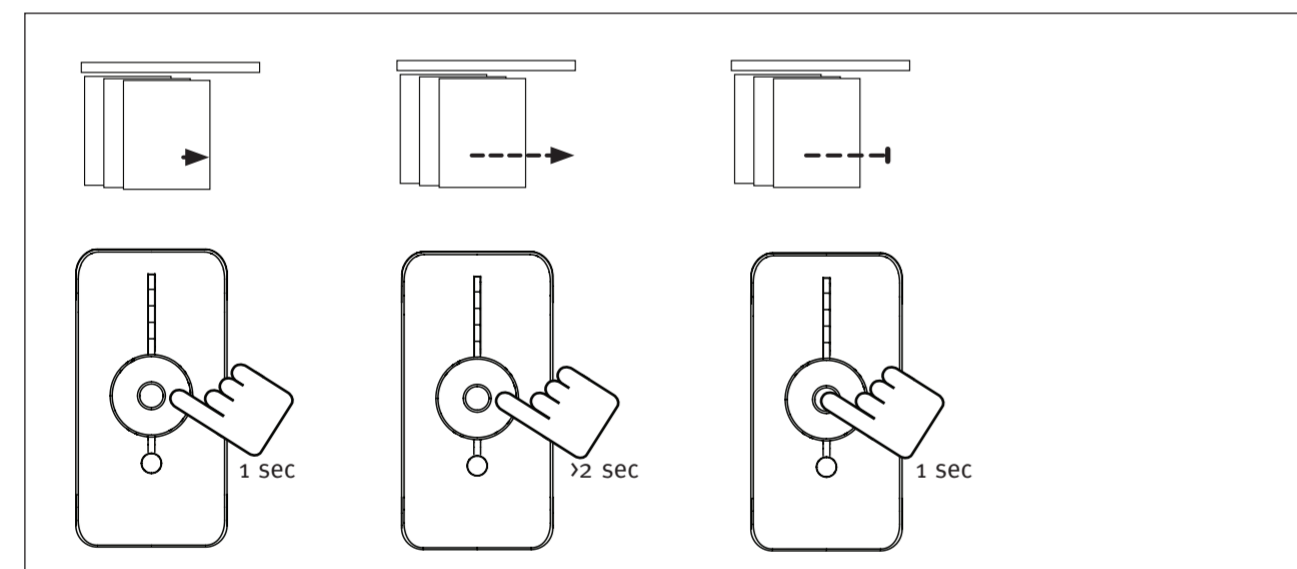
3. Operating

3.1 Select a channel

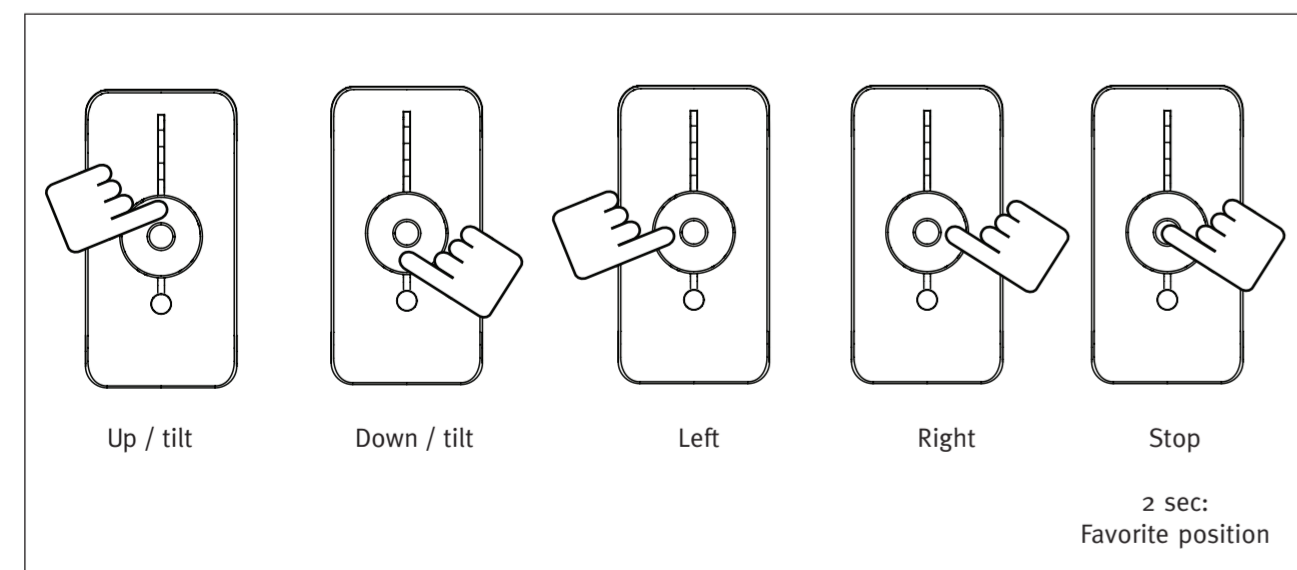


3.2 Operate a blind

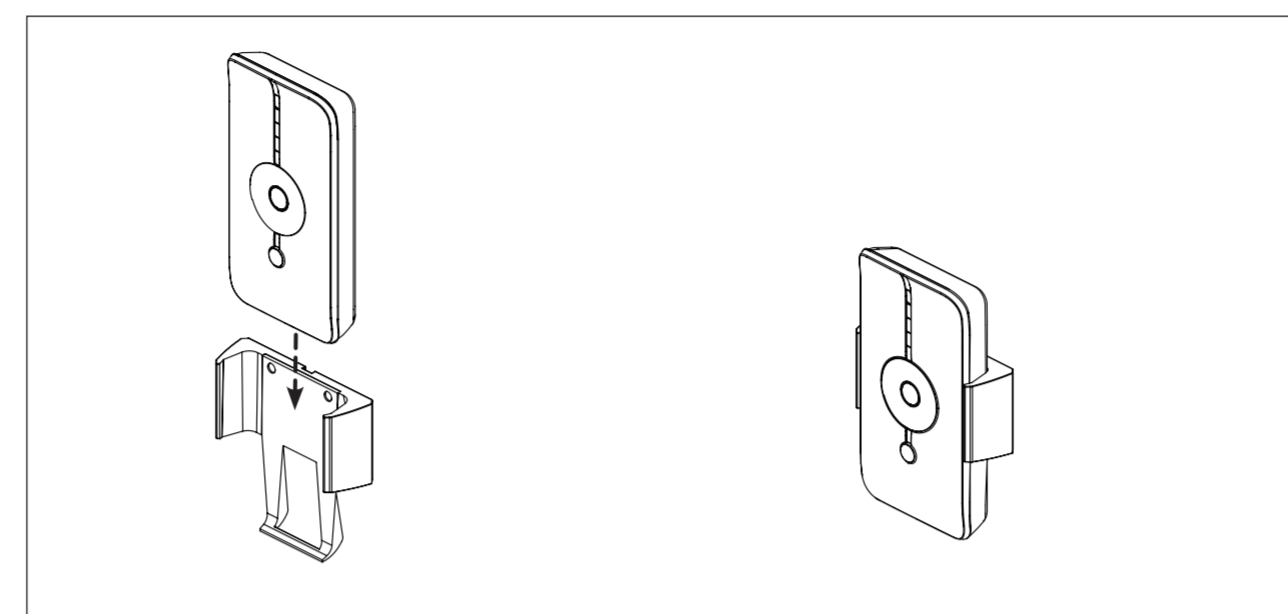
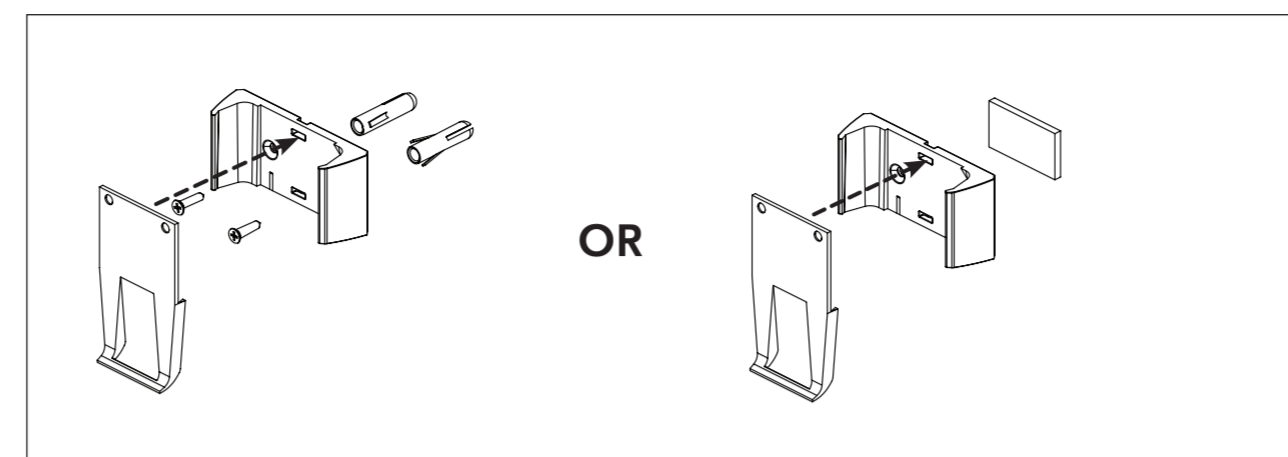
Press the buttons shortly for small movements, press the buttons for 2 seconds and the blind will move automatically. Press the stop/center button to stop the movement.



Buttons



4. Remote Holder



5. Safety & Cleaning

5.1 Safety

WARNING: Do not make repairs yourself. Do not attempt to open the device or disassemble it. You run the risk of electric shock and voiding the limited warranty. No user-serviceable parts are inside.

- Do not let children play with the blind and/or remote control
- Do not paint the device
- Keep the device dry. Precipitation, humidity, and all types of liquids or moisture can contain minerals that will corrode electronic circuits. If your device does get wet, remove the battery, and allow the device to dry completely before replacing the battery.
- Do not drop, knock, or shake the device. Rough handling can break internal circuit boards.

5.2 Cleaning

Follow these general rules when cleaning the outside of the device and its components:

- Make sure the device is unplugged.
- Use a damp, soft, lint-free cloth. Avoid getting moisture in openings.
- Don't use aerosol sprays, solvents, alcohol, or abrasives.

CORNICE INSTALLATION INSIDE MOUNT

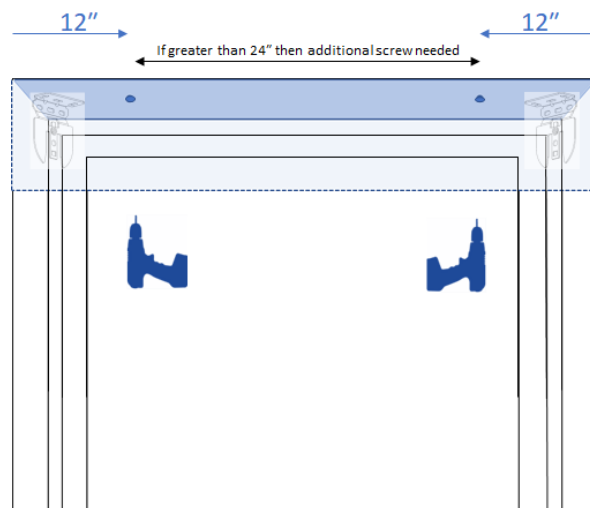
NOTE:

The brackets for your shade will come installed on the cornice (if the cornice and shade are ordered together).

Install cornice before installing the shade.

Inside Mount cornices are made 1/8" less than the ordered width of the shade.

1. Hold the cornice to the top of your window frame and set it back until it is flush with your wall or until it is touching the back of the window opening. Be sure the cornice is centered in the opening.
2. Pre-drill holes through the cornice for your screws:
 - a. 12" maximum from each side
 - b. Space between screws should not exceed 24"
3. Secure your cornice to the window by screwing through each hole you predrilled .
4. Once the cornice is mounted, you can then install the shade.



CORNICE INSTALLATION OUTSIDE MOUNT

NOTE:

The brackets for your shade will come installed on the cornice (if the cornice and shade are ordered together).

Install cornice before installing the shade.

Outside Mount cornices are made 1" wider than the ordered width of the shade.

1. Make sure the surface you intend to install your cornice hardware is sturdy enough to support the brackets. You will need to screw into wood studs that are strong enough to securely bond with the included screws or you will need to use fasteners to securely support the brackets. Please note secure fasteners are not included.
2. Center the cornice over the window opening at your desired height. Mark the position of the ends of the cornice on the wall. Measure in 6" from each end and using the cornice bracket mark the screw holes with a pencil. If you have additional cornice brackets, space them evenly between the outer brackets. Make sure all the mounting brackets are level with one another.
3. Pre-drill the holes for each cornice bracket and then secure the brackets to your mounting surface.
4. Place the cornice on top of the brackets and center it to the window. Check again that the cornice is level. Hold the cornice in place and screw through the top of each bracket into the cornice.
5. Once the cornice is secured to each bracket, then you can install the shade.

