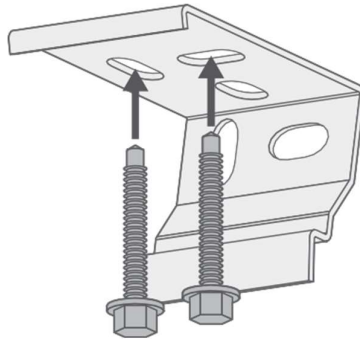


### Fitting the brackets

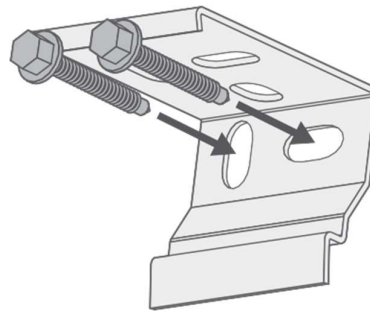
1

The brackets offer two methods of installation:



**Top-Fixing**

Use the front two holes in the top of the bracket to fix to the lintel (the 'ceiling' of the recess).



**Face-Fixing**

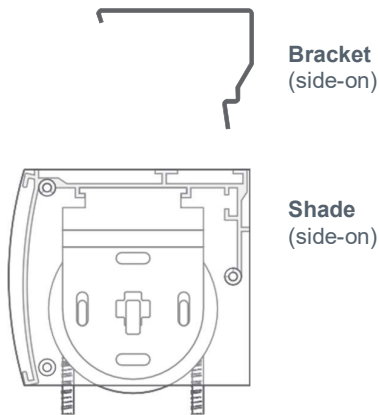
Use two screws through the back plate to mount onto a facing surface (a wall or window frame)



Note that the position of the outermost brackets should be at least 5cm away from the ends of the rail, with any other brackets evenly distributed across the width.

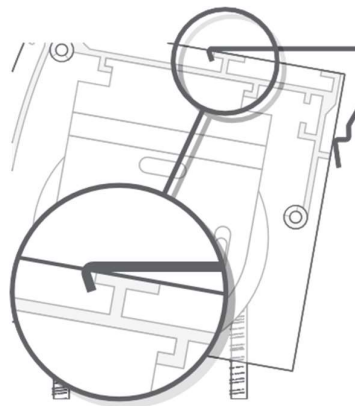
### Fitting the shade

2

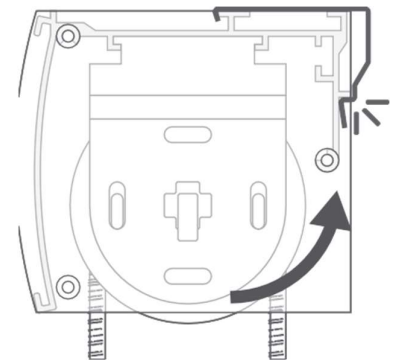


**Bracket**  
(side-on)

**Shade**  
(side-on)

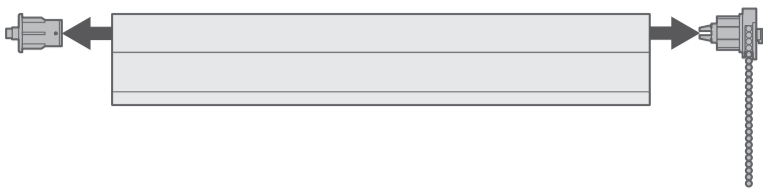


Holding the rail at an angle, situate the T-shaped lip on the top of the cassette into the front lip of the bracket.



Twist the back of the cassette upwards until it snaps into place against the back lip of the bracket.

**Before you begin**

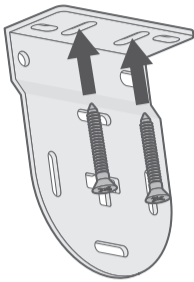


We will have positioned the controls where you requested during the ordering process. However if you decide to swap the side that they are on, direction of the roll or need to trim the blind further, the controls can be removed by simply unplugging them from the tube. This should be done prior to fixing the brackets.

**Fitting the brackets**

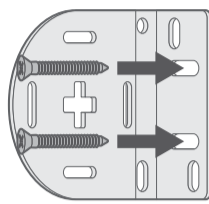
**1**

The brackets offer three methods of installation:



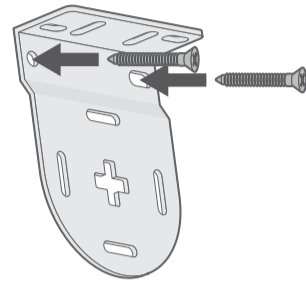
**Top-Fixing**

Where the brackets are screwed into the lintel (or 'ceiling' of the recess)



**Face-Fixing**

Where the brackets are screwed onto a facing surface (a wall or window frame)



**Side-Fixing**

Where the brackets are screwed into the side walls of the recess

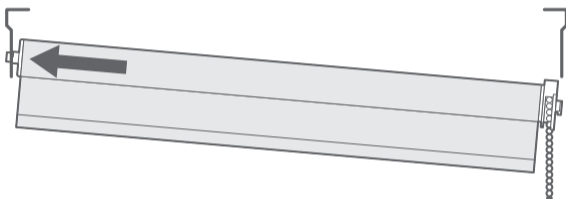
**Top Tip**

Top-fixing or face-fixing are recommended for most installations, whereas **side-fixing is only recommended if the width you gave us was taken right at the top of the recess.**



**Fitting the blind**

**2**



Locate the depression end (the opposite end to the controls) of the blind into the cross-shaped hole in the corresponding bracket.



Lift the control end of the blind and slot the rectangular 'lugs' into the corresponding slots on the bracket.