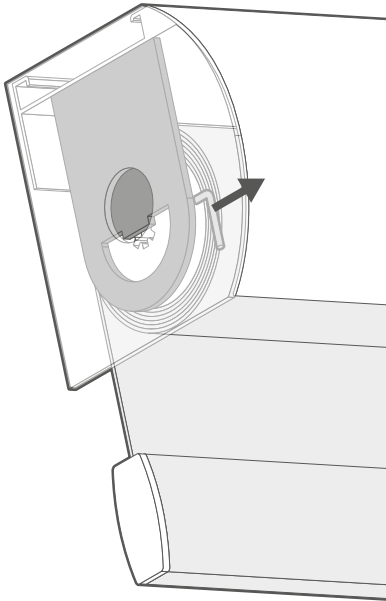
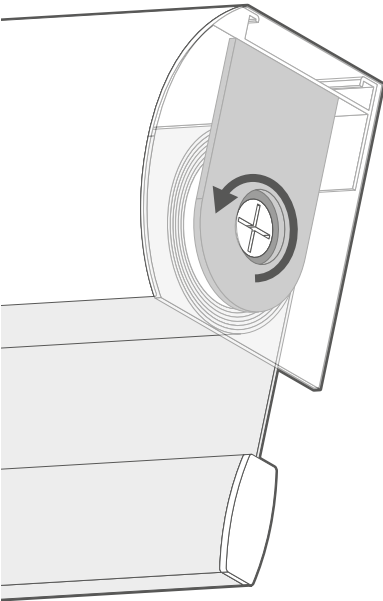


Operation and spring tension**3**

The shade's spring mechanism is locked with a locking pin to prevent it unrolling during transit. Before you operate the shade for the first time, locate the locking pin and simply pull it out to remove it.



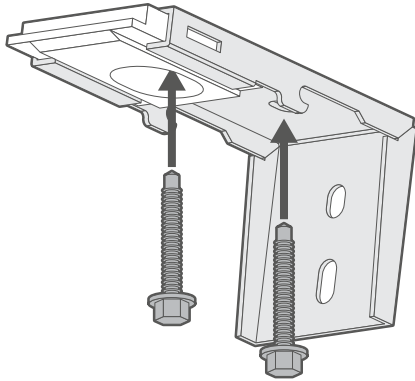
If you find that over time the spring mechanism is weakening (in that the shade does not easily retract when you raise it) then the tension can be increased very easily. Take the shade down from the brackets and locate the tension screw at one end. Using a screwdriver, turn the screw in the direction of the front of the shade. This will increase the tension in the spring and allow the shade to retract more easily. Make small adjustments (around 2 turns at a time) to avoid over-tensioning the spring mechanism.

Attach clear handle(s) to the bottom rail by carefully sliding on.

Fitting the brackets

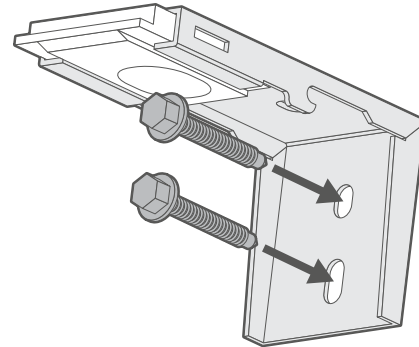
1

The brackets offer 2 methods of installation:



Top-Fixing

Where the brackets are screwed into the lintel (or 'ceiling' of the recess)



Face-Fixing

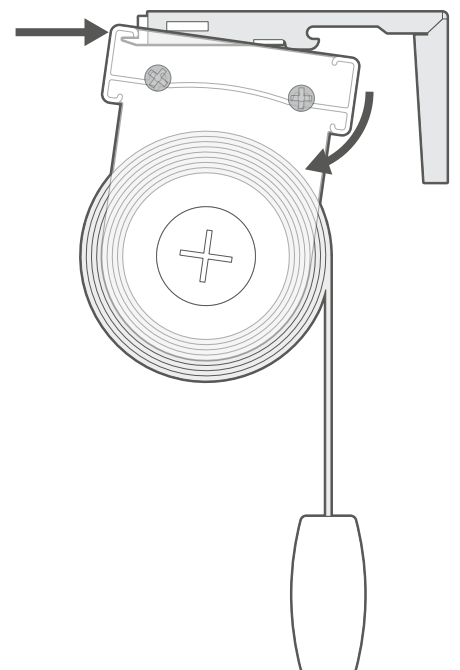
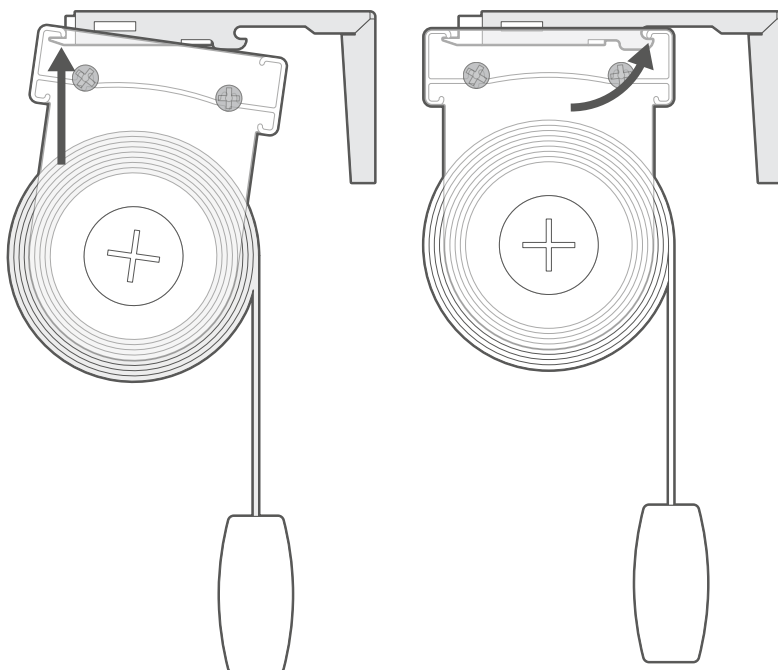
Where the brackets are screwed onto a facing surface (a wall or window frame)

Fitting the blind

2

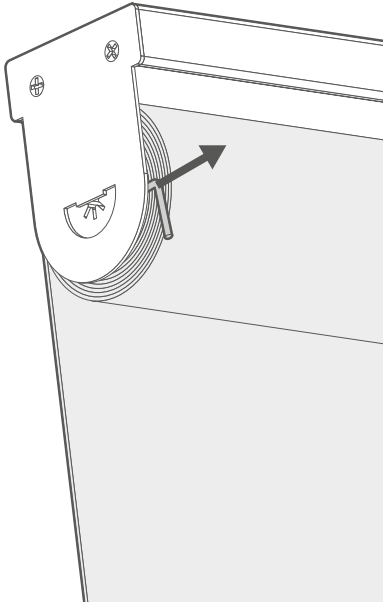
Holding the shade at an angle, hook the lip at the front of the headrail over the front hook of the bracket. Then, pushing back against the front of the headrail, raise the back of the headrail and push upwards until it snaps into place.

To remove the shade from the brackets, push back against the front of the headrail and twist the back of the headrail downwards until it disengages from the brackets.

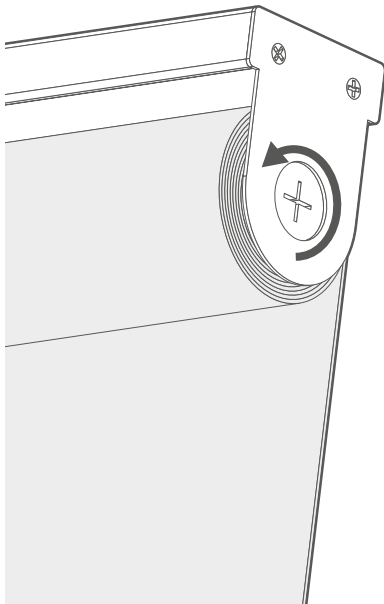


Operation and spring tension

3



The shade's spring mechanism is locked with a locking pin to prevent it unrolling during transit. Before you operate the shade for the first time, locate the locking pin and simply pull it out to remove it.



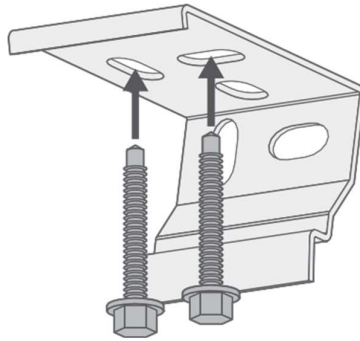
If you find that over time the spring mechanism is weakening (in that the shade does not easily retract when you raise it) then the tension can be increased very easily. Take the shade down from the brackets and locate the tension screw at one end. Using a screwdriver, turn the screw in the direction of the front of the blind. This will increase the tension in the spring and allow the blind to retract more easily. Make small adjustments (around 2 turns at a time) to avoid over-tensioning the spring mechanism.

Attach clear handle(s) to the bottom rail by carefully sliding on.

Fitting the brackets

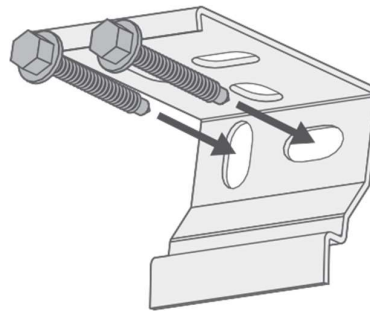
1

The brackets offer two methods of installation:



Top-Fixing

Use the front two holes in the top of the bracket to fix to the lintel (the 'ceiling' of the recess).



Face-Fixing

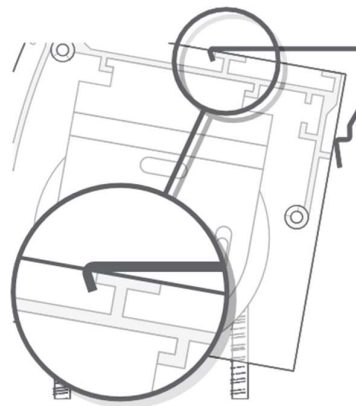
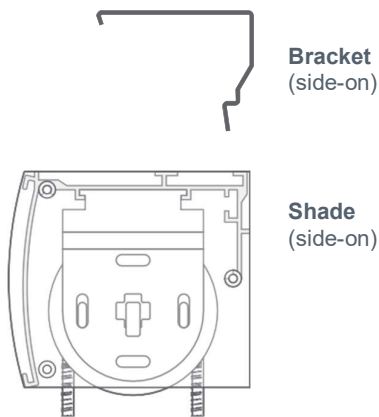
Use two screws through the back plate to mount onto a facing surface (a wall or window frame)



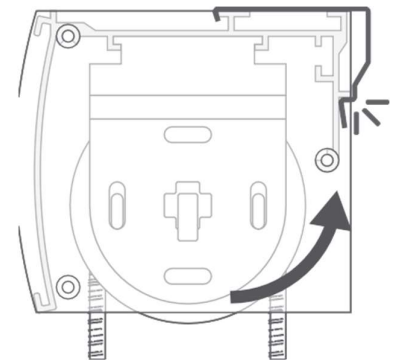
Note that the position of the outermost brackets should be at least 5cm away from the ends of the rail, with any other brackets evenly distributed across the width.

Fitting the shade

2

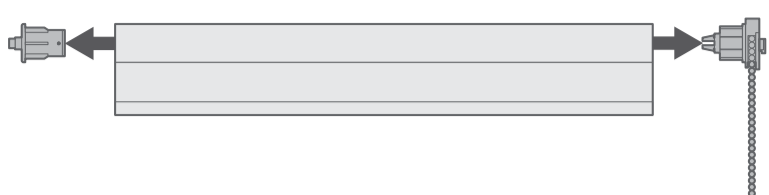


Holding the rail at an angle, situate the T-shaped lip on the top of the cassette into the front lip of the bracket.



Twist the back of the cassette upwards until it snaps into place against the back lip of the bracket.

Before you begin

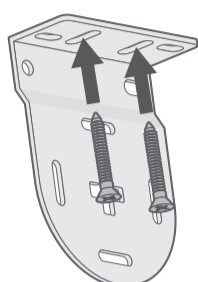


We will have positioned the controls where you requested during the ordering process. However if you decide to swap the side that they are on, direction of the roll or need to trim the blind further, the controls can be removed by simply unplugging them from the tube. This should be done prior to fixing the brackets.

Fitting the brackets

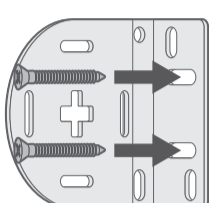
1

The brackets offer three methods of installation:



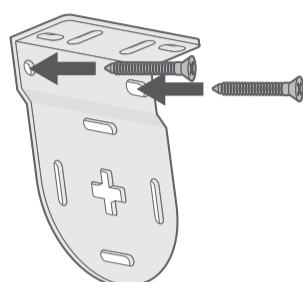
Top-Fixing

Where the brackets are screwed into the lintel (or 'ceiling' of the recess)



Face-Fixing

Where the brackets are screwed onto a facing surface (a wall or window frame)



Side-Fixing

Where the brackets are screwed into the side walls of the recess

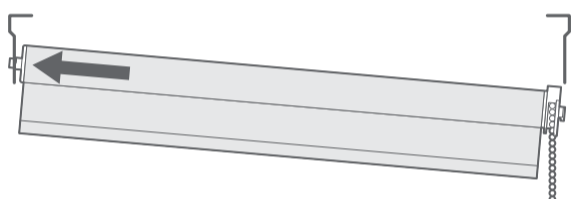
Top Tip

Top-fixing or face-fixing are recommended for most installations, whereas **side-fixing is only recommended if the width you gave us was taken right at the top of the recess.**



Fitting the blind

2



Locate the depression end (the opposite end to the controls) of the blind into the cross-shaped hole in the corresponding bracket.



Lift the control end of the blind and slot the rectangular 'lugs' into the corresponding slots on the bracket.