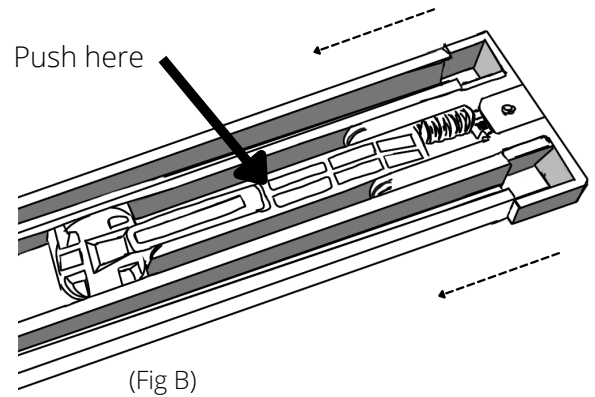
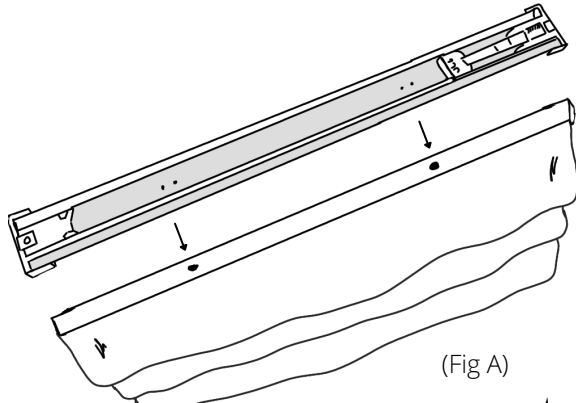


Installing A No-Tools Headrail

1. Remove the No-Tools Headrail

- The No-Tools Headrail will already be installed onto the existing product headrail. Remove the product from the headrail (See Fig A), which will vary from product and depend on lift type. Pull down the lever from below or push down from on the mech above to retract the tension boot (See Fig B).

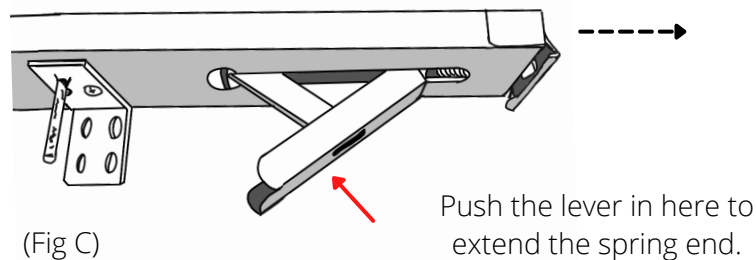


2. Install the No-Tool Headrail Anchor Points (Optional)

- Install the metal strips that have adhesive tape (on the back) on opposite sides of the window opening where you'll be installing the No-Tools Headrail. This is only available on larger products.

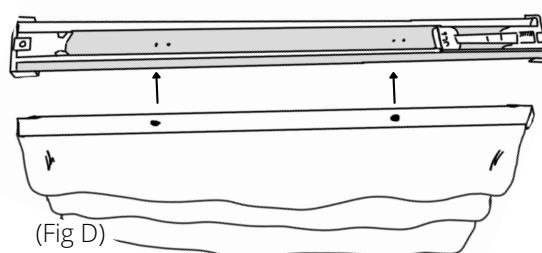
3. Install the No-Tools headrail in the window opening.

- Insert the No-Tools Headrail into the window opening, make it flush with the top of the window opening, then push upon the lever in to extend the tension spring and secure the No-Tools Headrail (See Fig C).



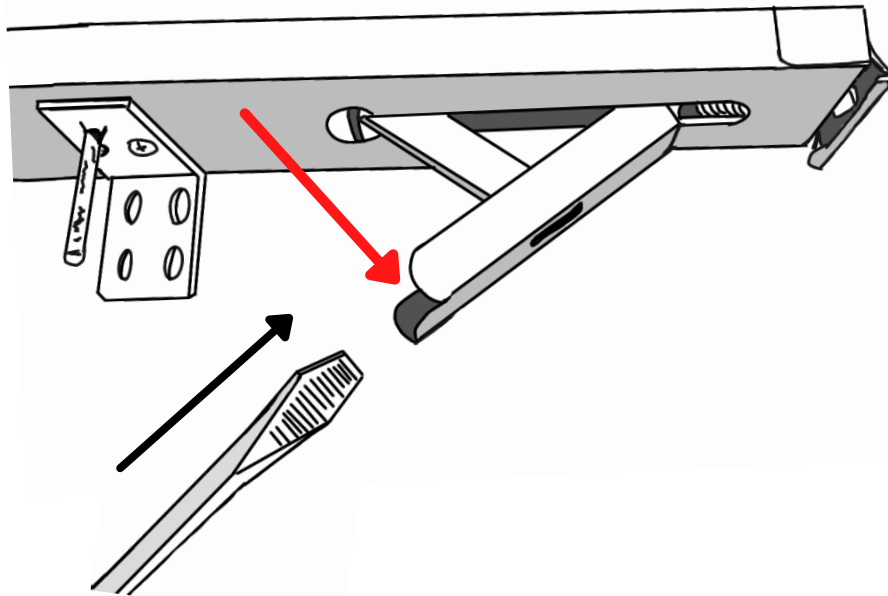
4. Install the Product

- Install the product onto the brackets (See Fig D). Test and operate the product to ensure secure installation and smooth functionality.



Uninstalling the No-Tools Headrail

To uninstall the product, follow step 1 by removing the product from the headrail and use a screwdriver to unlatch the lever.



Tech Tip

If the customer accidentally forced out the static end, use a flat head screwdriver to twist the red "droplets" (red arrow pointing towards them) towards the center and then push it back in.

