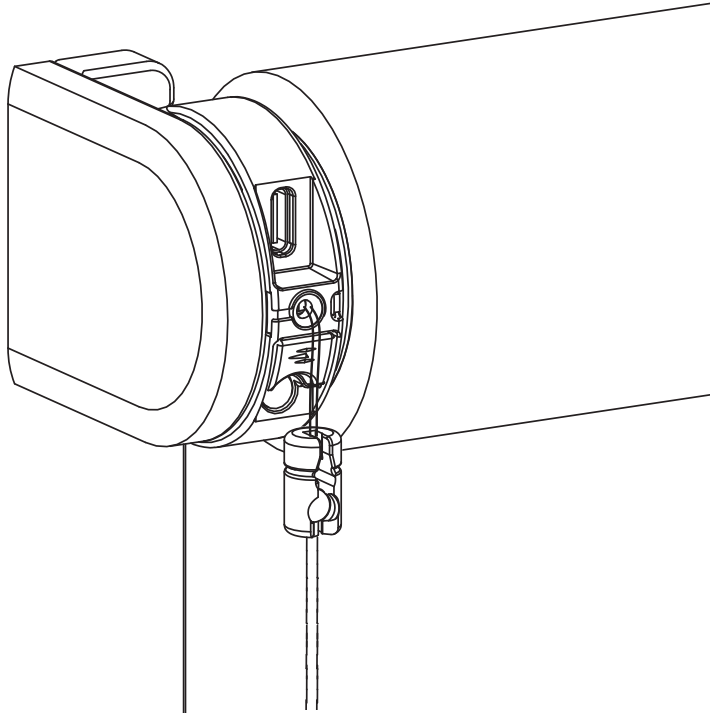
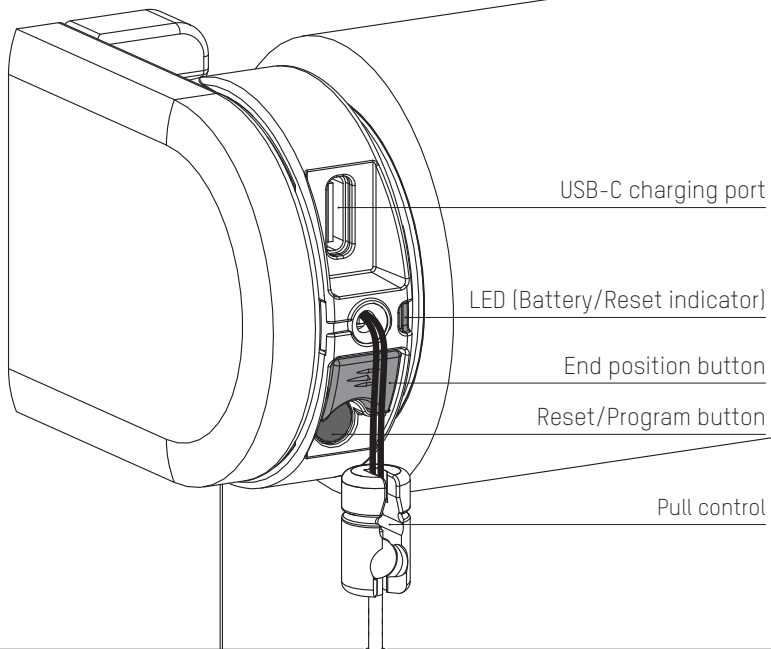


# SETUP GUIDE

## ROLLER SHADE

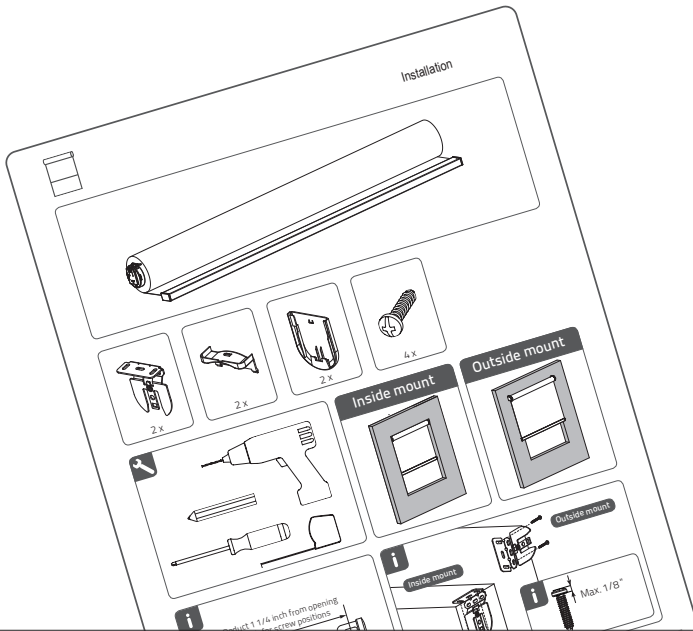


**i** Buttons and functions



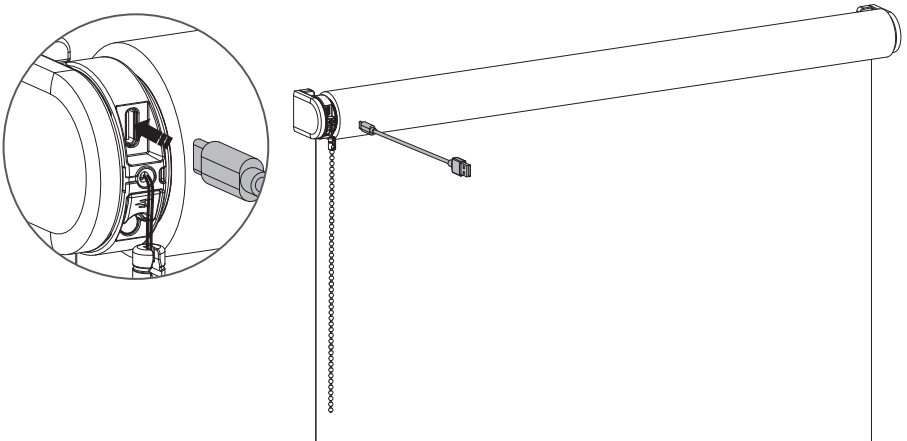
## 1 Install

Follow the steps in the installation instructions to install shade.



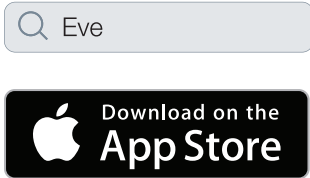
## 2 Activate

To activate the shade, connect it to a standard USB-C 5V power supply via a USB-C cable. This can be your iPhone's power adapter, for example.



### 3 Download the Eve app

Download the Eve app from the App Store.



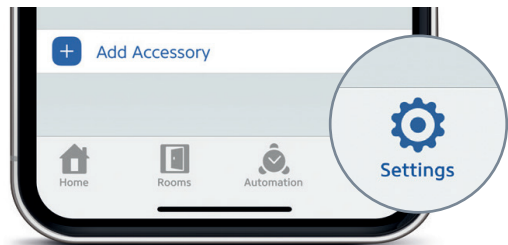
### 4 Setup the shade

Open the Eve app and tap Add Accessory. Eve will now guide you through the setup process. If you have previously set up an accessory, go to Settings and tap Add Accessory.

The end positions of the **shade**, top and bottom, are pre-programmed. These can be adjusted by following the steps in the app.

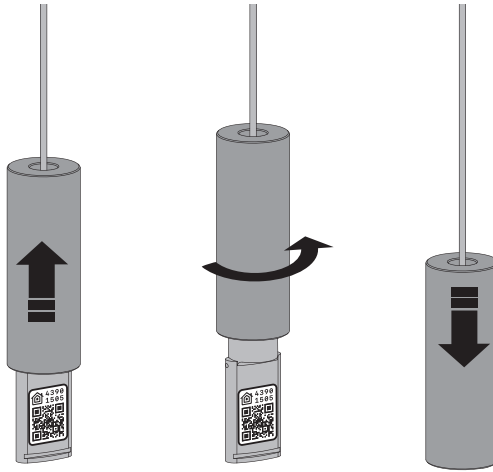


Add Accessory



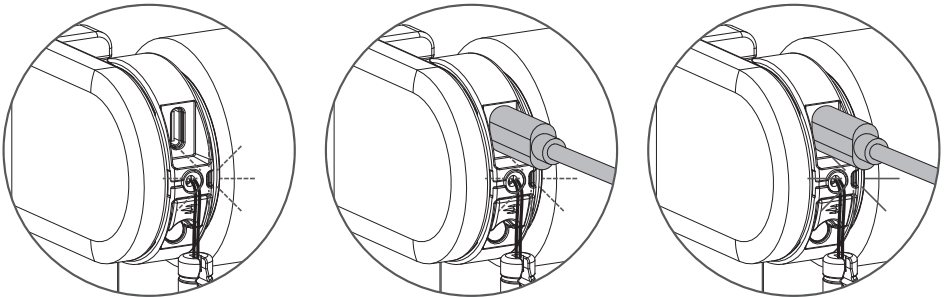
## 5 Hide the HomeKit Setup Code

Slide the tassel up and rotate a quarter turn to hide the HomeKit Setup Code into the tassel.



## i Recharge the shade

To charge the blind, connect it to a standard USB-C 5V power supply via a USB-C cable. This can be your iPhone's power adapter, for example.



LED light flashes  
red during operation;  
Charge the battery



LED light flashes  
green;  
battery is charging



LED light constantly  
green;  
battery is fully charged