

# LEVOLOR®

## Cellular Shades Persianas celulares Toiles alvéolées

INSTALLATION • OPERATION • CARE  
INSTALACIÓN • FUNCIONAMIENTO • CUIDADO  
INSTALLATION • FONCTIONNEMENT • ENTRETIEN



**Motorized Control Lift**  
Elevación con control motorizado  
Commande de levage motorisée

# CONTENTS

---

## Getting Started

Window and Shade Terminology .....	3 – 4
Product View .....	5
Components Included .....	6
Tools and Fasteners you may need .....	7

## Installation

Installation Overview .....	8
Inside Mount .....	8 – 10
Outside Mount .....	11 – 14
Side Mount .....	15

## Operation

Remote Operation .....	16
Battery Charging .....	16
Level the Bottom Rail .....	17
Removing the Shade .....	17

## Additional Information and Support

Cleaning Procedures .....	18
Troubleshooting .....	19
Warranty .....	19
Customer Service Support .....	19

### **CANADIAN RESIDENTS ONLY**

- Control operation systems vary by country. Call 1-866-937-1875 for more information.
- For all safety, related inquiries, call 1-866-662-0666 or visit [www.canada.ca](http://www.canada.ca), search "blind cords".
- These instructions include references to some product features and operating capabilities that may not be available in Canada.



### **WARNING STRANGULATION HAZARD –**

Young children can be strangled by cords. Immediately remove this product if a cord longer than 22 cm or a loop exceeding 44 cm around becomes accessible.

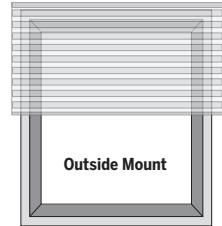
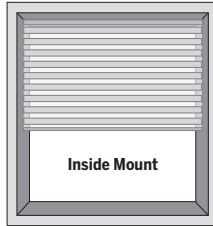
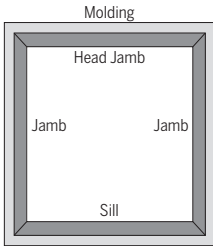


**WARNING:** Keep all small parts, components and packaging away from children as they pose a potential choking hazard which may result in serious injury or death. Please reference all warning tags and labels in the instructions and on the shade.

# WINDOW AND SHADE TERMINOLOGY

Thank you for purchasing LEVOLOR® Cellular Shades. With proper installation, operation, and care, your new cellular shade will provide years of beauty and performance. Please thoroughly review this instruction booklet before beginning installation.

## MOUNTING TYPES AND WINDOW TERMINOLOGY



### Window Components Terminology

- Collectively, the sill and jambs are called the “window casement” or “frame”.

### Inside Mount

- Shade fits within window opening.
- Great for windows with beautiful trim.

### Outside Mount

- Shade mounts outside window opening.
- Increased light control and privacy.

### Minimum Depth Requirements for Proper Shade Installation (inches)

Operating System	Minimum Mounting Depth	Minimum Depth for Fully Recessed/Flush Mount Headrail
Motorized	1 ¼	2 ¼

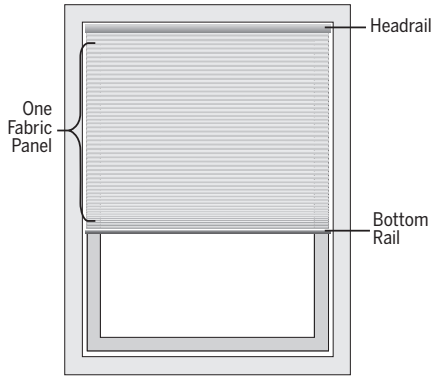
**Shim** – A thin strip of material used to align parts to make them fit.

# WINDOW AND SHADE TERMINOLOGY

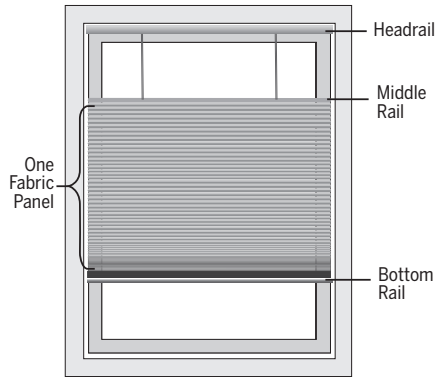
---

## LIFT STYLES

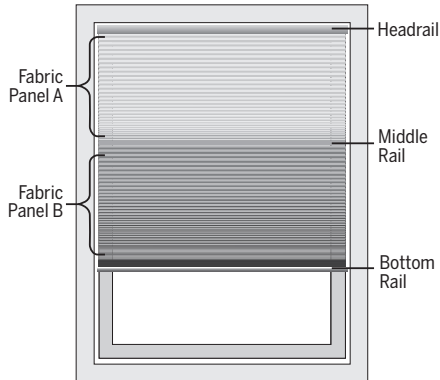
Bottom-Up Shade



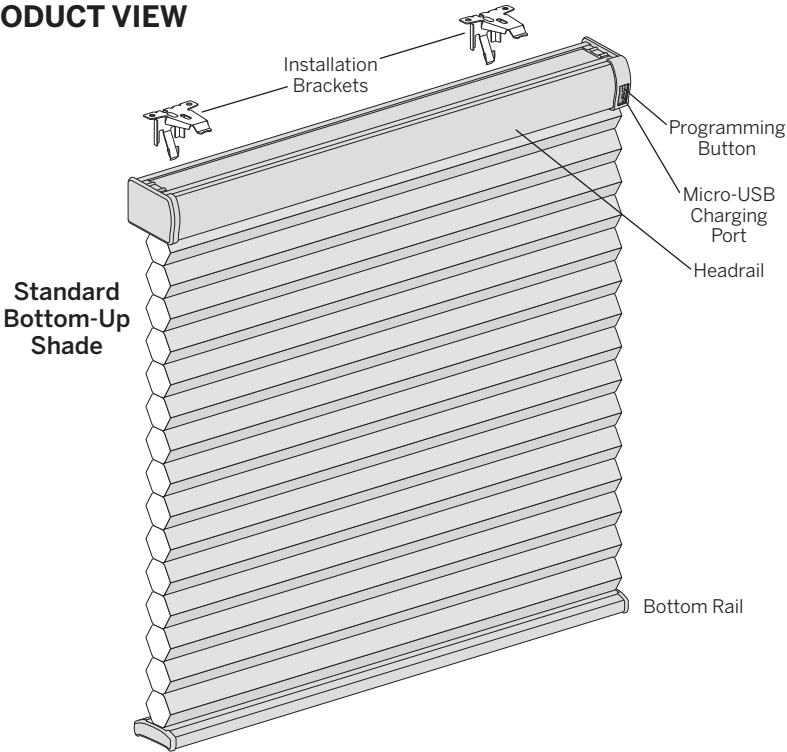
Top-Down/Bottom-Up Shade



Day/Night Shade

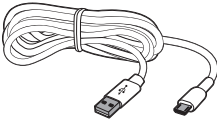


PRODUCT VIEW

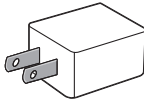


Standard Bottom-Up Shade

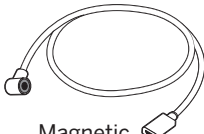
Not Shown: Top-Down/Bottom-Up and Day/Night Shades



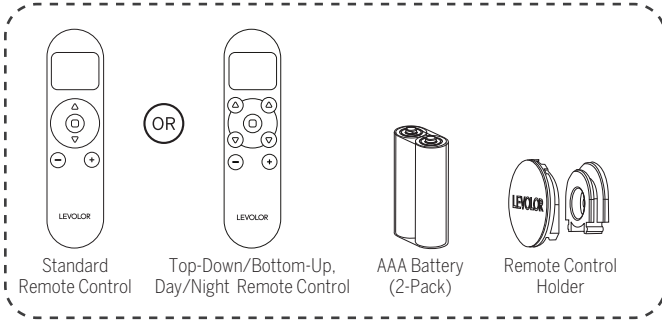
Micro-USB Charging Cable



Power Adapter



Magnetic Charging Adapter



Remote Control Kit (optional)



Hub (optional)

# GETTING STARTED

## COMPONENTS INCLUDED



Cellular Shade



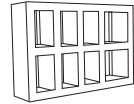
Hex Head Screws  
(2 per bracket)



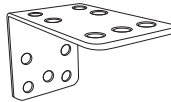
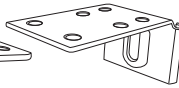
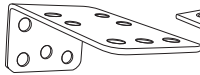
#6 Flat Head Screw for  
Use with End Mounts  
(provided)



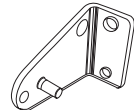
Speed Nut and Screw  
(two provided with each  
extension bracket)



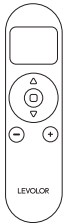
Spacer Block  
(optional)



Extension / Side Mount Brackets  
(optional)

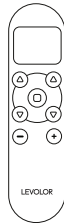


Hold-Down Bracket  
(optional)



Standard  
Remote Control

OR



Top-Down/Bottom-Up,  
Day/Night Remote Control



AAA Battery  
(2-Pack)



Remote Control  
Holder

Remote Control Kit  
(optional)



Hub  
(optional)

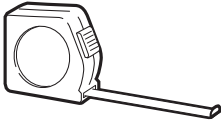
- Shade
- Mounting Brackets
- Installation Hardware
- Remote Control Kit
- Other accessories (optional)

Optional items will be included, if selected at time of shade order.

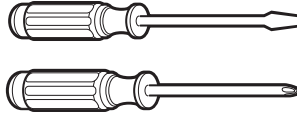
## TOOLS AND FASTENERS YOU MAY NEED (not included)

The tools you will need for installing your shade will vary, depending on the installation surface, and mounting bracket type.

Tools typically used for installation include:



Metal Tape Measure



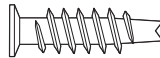
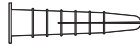
Screwdrivers  
(both flat and Phillips head)



1/4" Nutdriver



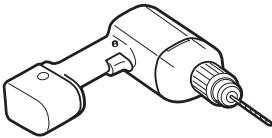
Safety Glasses



Drywall Anchors



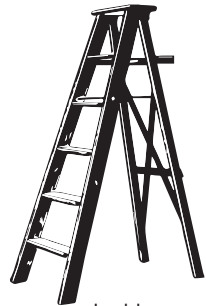
Pencil



Drill with Bits  
3/32" drill bit &  
1/4" hex driver



Level



Ladder

**Note:** Longer screws may be needed with extension brackets and spacers, not shown.

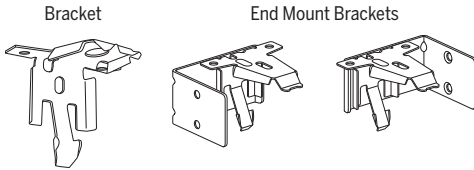


**CAUTION:** Use drywall anchors (not provided) when mounting into drywall. Failure to properly anchor shade could cause shade to fall, possibly resulting in injury.

# GETTING STARTED

## INSTALLATION OVERVIEW

- Your order will include the correct number of installation brackets for your shade width, as shown in the table.



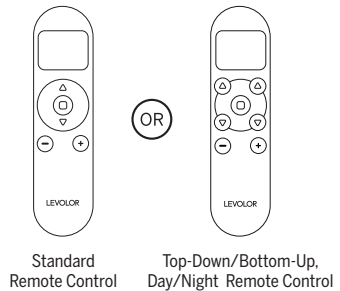
Shade Width	Brackets Required
Up to 36"	2
36" – 72"	3
72" – 108"	4
108" – 120"	5

## INSIDE MOUNT (IM) – BEFORE YOU BEGIN

### PAIR SHADE BEFORE INSTALLING

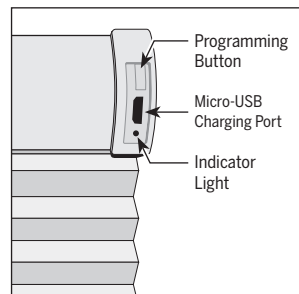
#### REMOTE CONTROL

- Use the **-** and **+** buttons to select the channel to pair to.
- Press and hold the programming button on the window covering for about 2 seconds until the shade jogs once.
- In the next 10 seconds, press and hold the **□** on the remote until the shade jogs twice.



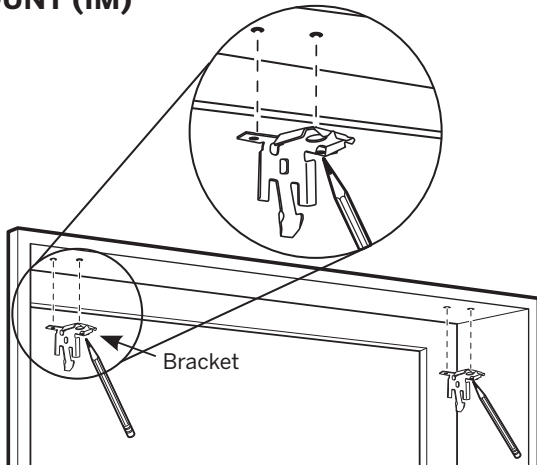
#### USING THE INMOTION APP

- If you purchased a hub, download the LEVOLOR InMotion™ app to get started.
- Shade can be directly paired to app, but it is recommended to pair to remote first.



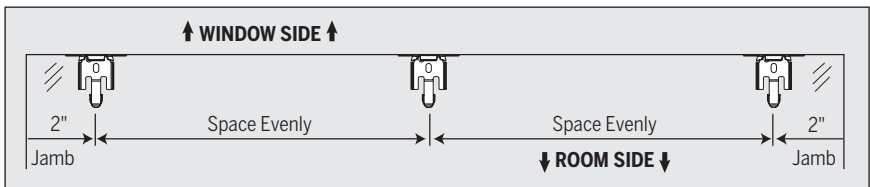


## INSIDE MOUNT (IM)



### STEP 1: MARKING THE BRACKET LOCATIONS

- Mark 2" in from each jamb for bracket location.
  - If more than two installation brackets came with your order, space additional bracket(s) evenly between the two end brackets.
  - Mount into wood whenever possible.



- Center the brackets on your marks, then mark each of the screw holes.
  - The minimum depth for installation brackets is 1¼".
  - The minimum depth for a fully recessed mount is 2¼".
  - Use the center screw hole when depth permits.
  - Use both winged screw holes with shallow mounting depths.

**IMPORTANT:** Brackets must be level and aligned to each other.

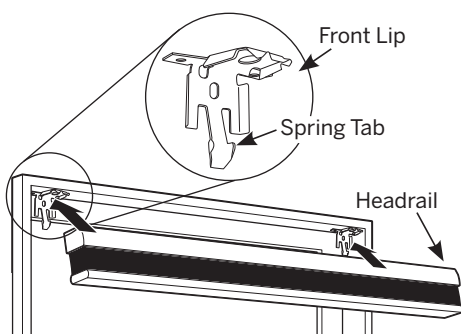
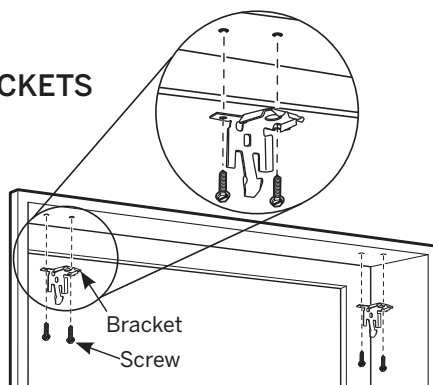
# INSTALLATION

## INSIDE MOUNT (IM)

### STEP 2: INSTALLING THE BRACKETS

- Drill the screw holes using a  $\frac{3}{32}$ " drill bit.
- Attach the installation brackets using the screws provided, 2 screws per bracket.
- Ensure all brackets are square with each other.

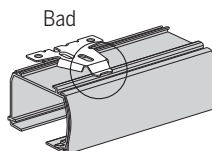
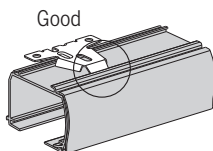
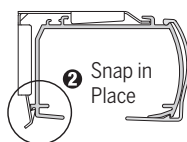
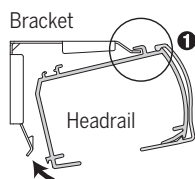
**IMPORTANT:** Use drywall anchors when mounting into drywall.



### STEP 3: INSTALLING THE SHADE—MOUNTING THE HEADRAIL

- Fit the front channel on top of the headrail onto the front lip of installation brackets.
- Push the headrail up and back until it snaps into place.
- Check to ensure the headrail is securely in the brackets.
  - Check that the bottom of the headrail is snapped into the base of each bracket.
  - Check that the front lip of each bracket is in the front channel of the headrail.
  - If any brackets are not installed correctly, release the shade and reinstall. See “Removing the Shade (If Necessary)” on page 17.

The front of the bracket fits under the groove.

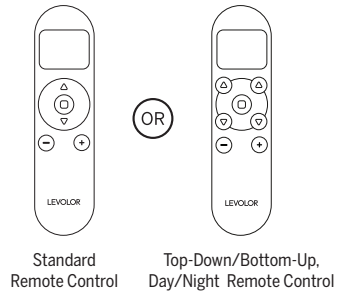


## OUTSIDE MOUNT (OM) –BEFORE YOU BEGIN

### PAIR SHADE BEFORE INSTALLING

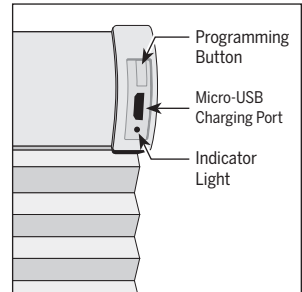
#### REMOTE CONTROL

- Use the **-** and **+** buttons to select the channel to pair to.
- Press and hold the programming button on the window covering for about 2 seconds until the shade jogs once.
- In the next 10 seconds, press and hold the **□** on the remote until the shade jogs twice.



#### USING THE INMOTION APP

- If you purchased a hub, download the LEVOLOR InMotion™ app to get started.
- Shade can be directly paired to app, but it is recommended to pair to remote first.

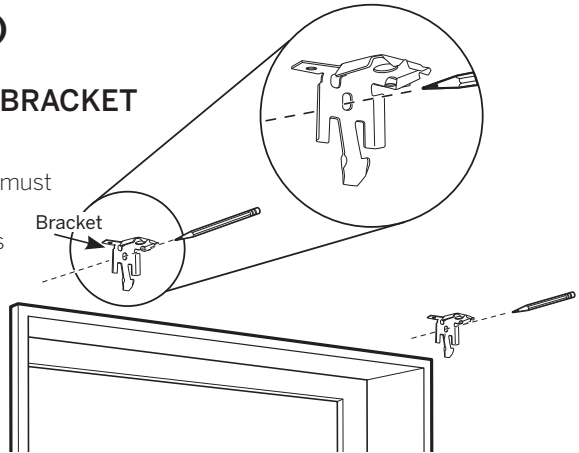


## OUTSIDE MOUNT (OM)

### STEP 1: MARKING THE BRACKET LOCATIONS

**NOTE:** The rear of the brackets must be flush against a flat mounting surface. Do NOT mount brackets on curved molding.

- Center the headrail over the window opening at the desired height.
- Use a pencil to lightly mark each end of the headrail.



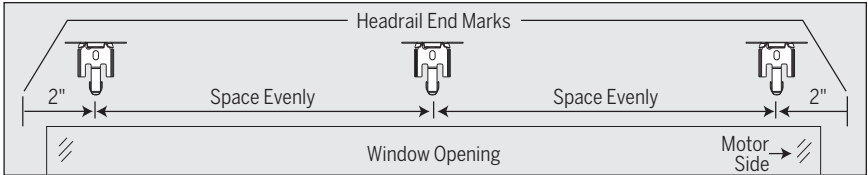
— Alternatively, measure the width of the headrail and use that width to mark the headrail end points over the window opening.

- Mark approximately 1 – 2" in from each end of headrail for the installation bracket locations.
  - Allow a minimum of ¼ in between the bottom of the installation bracket and the top of the window molding.

# INSTALLATION

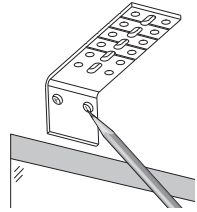
## OUTSIDE MOUNT (OM)

- With a pencil, mark the installation brackets or extension bracket screw locations through the larger, oblong rear holes of the bracket, 2 screws per bracket.
- Use a level to ensure all brackets are aligned.
- If more than two installation brackets come with your order, space additional bracket(s) evenly between the two end brackets, no more than 30" apart, mark drill hole locations.



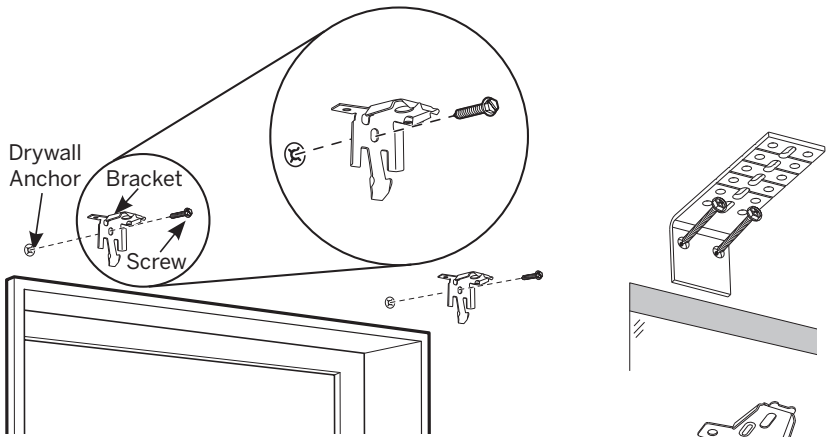
- Center the brackets on your marks, then mark each of the screwholes.

- A minimum of 1 1/4" flat vertical surface is required to mount the brackets.
- The top of the installation brackets or extension brackets should be at the desired shade height. The brackets should be level and aligned.
- When using extension brackets, mark two screw holes per bracket.



**CAUTION:** The rear of the brackets must be flush against a flat mounting surface. Do not mount brackets on curved molding.

## OUTSIDE MOUNT (OM)



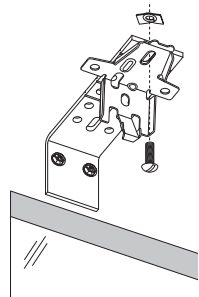
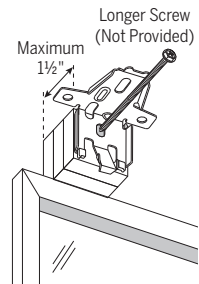
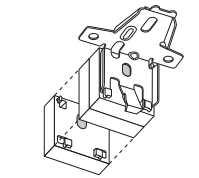
### STEP 2: INSTALLING THE BRACKETS

**NOTE:** Use drywall anchors when mounting into drywall.

- Drill the screw holes using a  $\frac{3}{32}$ " drill bit.
- Attach the installation or extension brackets using the screws provided.

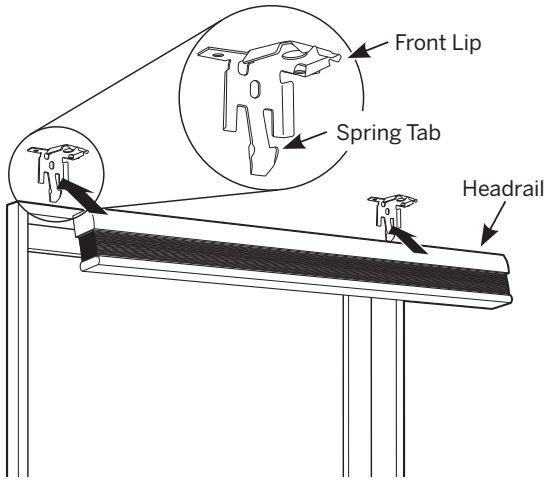
**IMPORTANT:** The front edges of the installation brackets must be level and aligned to each other.

- If using spacer blocks for added clearance, the spacer blocks and shims may be stacked.
  - A maximum of  $1\frac{1}{2}$ " of added clearance using spacer blocks and shims is recommended.
- Attach the spacer blocks and installation brackets to a flat vertical mounting surface with #6 mounting screws long enough for a secure installation.
  - The top of the spacer blocks should be at the desired shade height.
  - If using extension brackets, attach an installation bracket to the underside of each extension bracket using the provided screws and speed nuts.



# INSTALLATION

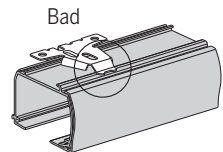
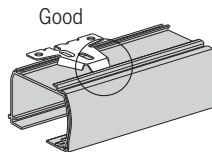
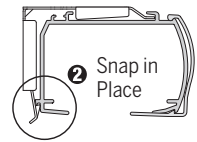
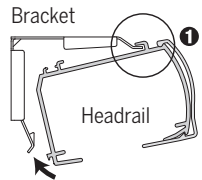
## OUTSIDE MOUNT (OM)



### STEP 3: INSTALLING THE SHADE—MOUNTING THE HEADRAIL

- Fit the front channel on top of the headrail onto the front lip of installation brackets.
- Push the headrail up and back until it snaps into place.
- Check to ensure the headrail is securely in the brackets.
  - Check that the bottom of the headrail is snapped into the base of each bracket.
  - Check that the front lip of each bracket is in the front channel of the headrail.
  - If any brackets are not installed correctly, release the shade and reinstall. See “Removing the Shade (If Necessary)” on page 17.

The front of the bracket fits under the groove.



## SIDE MOUNT

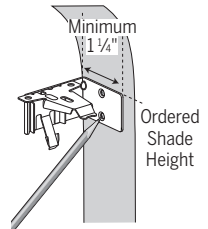
### STEP 1: MARKING THE BRACKET LOCATIONS

End mount the headrail when conventional mounting techniques will not work — for example, in an arched window opening.

- Position the end mount brackets so that the top of the attached installation brackets is at the ordered height of the shade.

**IMPORTANT:** Both brackets must be installed at the same depth and height.

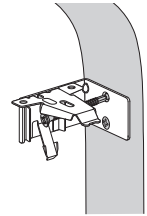
- Mark both screw holes.
  - The mounting surface must be vertical and flat, not part of an arched curve.



### STEP 2: INSTALLING THE BRACKETS

- Drill the holes using a  $\frac{3}{32}$ " drill bit.
- Attach the end mount installation brackets using the flat head screws provided.

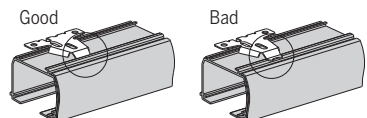
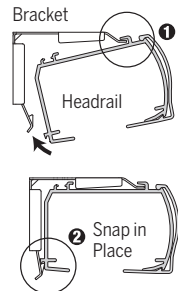
**NOTE:** Drywall mounting is not recommended.



### STEP 3: INSTALLING THE SHADE—MOUNTING THE HEADRAIL

- Fit the front channel on top of the headrail onto the front lip of installation brackets.
- Push the headrail up and back until it snaps into place.
- Check to ensure the headrail is securely in the brackets.
  - Check that the bottom of the headrail is snapped into the base of each bracket.
  - Check that the front lip of each bracket is in the front channel of the headrail.
  - If any brackets are not installed correctly, release the shade and reinstall. See "Removing the Shade (If Necessary)" on page 17.

The front of the bracket fits under the groove.



# OPERATION

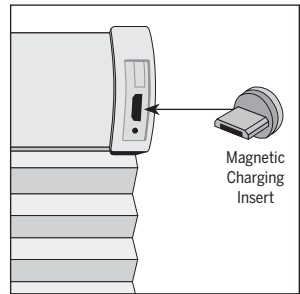
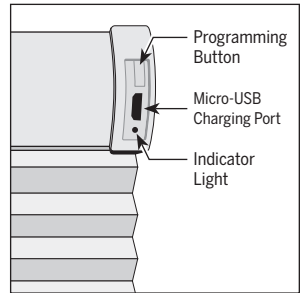
## REMOTE OPERATION

- Scan for remote guide.



## BATTERY CHARGING

- Rechargeable battery is integrated into shade headrail.
- For standard charging, remove the magnetic charging insert from the headrail. Use the micro-USB charging cable and power adapter to charge shade.
- For easier access to the charging port, a removable magnetic charging adapter has been installed during production. Attach the magnetic charging adapter to the micro-USB charging cable and power adapter before connecting to headrail to charge.
- Indicator light battery status:
  - Low (red flash)
  - Charging (green flash)
  - Charged (green solid)
- It is recommended to fully charge shade prior to first use.

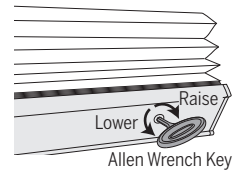
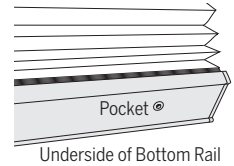




**LEVEL THE BOTTOM RAIL (IF NECESSARY)**

- Lift the bottom rail to locate the pockets on the underside of the rail.
- Gently pull down on the bottom rail to fully insert the  $\frac{7}{64}$ " Allen wrench key into the pocket. The key is fully inserted when the ring on the key abuts to the pocket.
  - Lift up the bottom rail slightly before turning the Allen wrench key. Turn the key clockwise to raise that side of the bottom rail, or counter-clockwise to lower it.
  - One quarter turn of the key equals approximately  $\frac{1}{4}$ ".

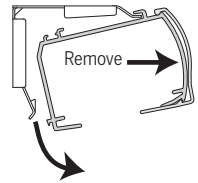
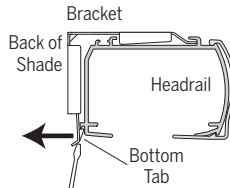
**IMPORTANT:** The Allen wrench key must be fully inserted to avoid stripping the mechanism. Do not pull down on the bottom rail while turning the key.



- If more than two pockets exist, adjust the outer pockets first. Then adjust inner pockets as necessary, to maintain equal tension across the bottom rail. As pocket adjustments are made, it is recommended that the shade be raised and lowered to check that it is level.

**REMOVING THE SHADE (IF NECESSARY)**

- Lower the shade approximately 4".
- While holding the headrail, push back on the bottom tab of the installation bracket to release the bottom edge of the headrail.
- After releasing the bottom edge, roll the back of the headrail down and out from the bracket.



## ADDITIONAL INFORMATION AND SUPPORT

---

### CLEANING PROCEDURES

All LEVOLOR Cellular Shades are made of 100% polyester and with multiple cleaning options, these easy to care for shades will maintain their beautiful appearance for years to come.

**NOTICE:** Avoid contact with window cleaning products. Improper cleaning may damage the shade and void warranty.



#### DUSTING

Use a feather duster for regular cleaning.



#### FORCED AIR

Blow away dirt and debris using clean compressed air.



#### PROFESSIONAL INJECTION/EXTRACTION CLEANING

Call local on-site blind/shade cleaner that injects a cleaning solution into the fabric and extracts the dirty solution at the same time. The service is typically performed at home so you do not need to remove your window treatments.



#### VACUUMING

Use a low suction vacuum with a brush-type cleaner attachment; stroke lightly over the shade to clean.



#### SPOT-CLEANING/STAIN REMOVAL AT HOME

Use warm water and a mild soap, like Woolite® or Scotchgard®, if needed. Do not immerse shade in water.

### A Note About Fabrics

As with all textiles, Cellular fabrics are subject to some variations. Slight wrinkling, puckering, or bowing is inherent to this textile product and should be considered normal, acceptable quality. These characteristics are not usually visible from the front or rear but may be visible from a side angle.

Precautions should be taken to reduce exposure to harsh environmental elements, such as salt air. Continuous exposure through open windows and doors will accelerate the fabric deterioration.

**NOTE:** Improper cleaning may void warranty.

## TROUBLESHOOTING

If your shade is not operating correctly:

- First review the guide that came with your control device.
- Refer to the following troubleshooting procedures for specific solutions for your shade.

If questions remain, please contact LEVOLOR Customer Service at 1-800-LEVOLOR or 1-800-538-6567

<b>Problem</b>	<b>The shade will not fit into the installation brackets.</b>
<b>Solution</b>	<p>Check that the installation brackets are level and aligned. Adjust and/or shim to level, if necessary.</p> <p>Be sure the heads of the mounting screws are flush against the installation bracket.</p> <p>Make sure that the shade fabric is not caught between the installation bracket and the headrail.</p> <p>Check that the headrail is completely inserted into the installation brackets.</p>
<b>Problem</b>	<b>The shade raises or lowers unevenly or the bottom rail is uneven when fully raised.</b>
<b>Solution</b>	<p>Lower the shade completely to allow it to “self-correct” skewing.</p> <p>Check that the headrail and installation brackets are level and aligned. Shim the installation brackets to level the headrail, if necessary.</p> <p>Adjust the bottom rail. See “<b>Level the Bottom Rail (If Necessary)</b>” on page 17.</p>

## WARRANTY

For complete warranty information visit [LEVOLOR.com](http://LEVOLOR.com) or call Customer Service at 1-800-LEVOLOR or 1-800-538-6567.

## CONTACTING US

To contact LEVOLOR Customer Service regarding any questions or concerns you may have about your new shades, you may reach us at 1-800-LEVOLOR (9:00 am – 6:00 pm EST)

[www.LEVOLOR.com](http://www.LEVOLOR.com)

## ADDITIONAL PARTS AND SERVICES

Additional or replacement parts can be ordered, or shades can be repaired or restrung through our repair center. Please contact LEVOLOR Customer Service through [www.LEVOLOR.com](http://www.LEVOLOR.com) for a return authorization number.



# LEVOLOR®

## Persianas celulares

---

INSTALACIÓN • FUNCIONAMIENTO • CUIDADO



Elevación con control motorizado

# CONTENIDO

## Introducción

Terminología de ventanas y cortinas .....	23–24
Vista del producto .....	25
Componentes incluidos .....	26
Herramientas y sujetadores que puede necesitar .....	27

## Instalación

Descripción general de la instalación .....	28
Instalación interior .....	28–30
Instalación exterior .....	31–34
Instalación lateral .....	35

## Funcionamiento

Funcionamiento remoto .....	36
Carga de la batería .....	36
Nivelar el riel inferior .....	37
Cómo quitar las cortinas .....	37

## Información adicional y asistencia

Procedimientos de limpieza .....	38
Solución de problemas .....	39
Garantía .....	39
Servicio de atención al cliente .....	39

### **SOLO PARA RESIDENTES DE CANADÁ**

- Los sistemas de operación de control varían según el país. Para obtener más información, llame al 1-866-937-1875.
- Para todas las consultas relacionadas con la seguridad, llame al 1-866-662-0666 o visite [www.canada.ca](http://www.canada.ca) y busque “blind cords” (cordones para persianas).
- Estas instrucciones incluyen referencias a algunas características del producto y capacidades operativas que pueden no estar disponibles en Canadá.

### **ADVERTENCIA RIESGO DE ESTRANGULACIÓN –**

Los niños pequeños pueden estrangularse con el cordón. Retire inmediatamente este producto si se puede acceder a un cordón de más de 22 cm o un lazo de más de 44 cm.

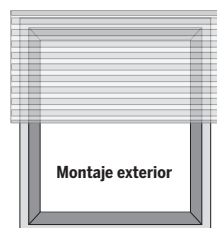
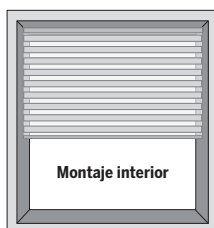
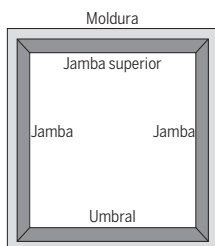


**ADVERTENCIA:** Mantenga todas las piezas pequeñas, los componentes y los empaques fuera del alcance de los niños, ya que representan un peligro potencial de asfixia que puede provocar lesiones graves o la muerte. Consulte todos los rótulos y las etiquetas de advertencia en las instrucciones y en la pantalla.

# TERMINOLOGÍA DE VENTANAS Y CORTINAS

Gracias por comprar las cortinas celulares LEVOLOR®. Con una instalación, operación y cuidado adecuados, su nueva cortina celular proporcionará años de belleza y rendimiento. Lea atentamente este folleto de instrucciones antes de comenzar la instalación.

## TIPOS DE INSTALACIÓN Y TERMINOLOGÍA DE VENTANAS



### Terminología de los componentes de una ventana

- En conjunto, el umbral y las jambas se denominan el "marco".

### Instalación interior

- El tamaño de la cortina se ajusta al de la abertura de la ventana.
- Ideal para ventanas con marcos elegantes.

### Instalación exterior

- La cortina se instala por fuera de la abertura de la ventana.
- Mayor control de la luz y privacidad.

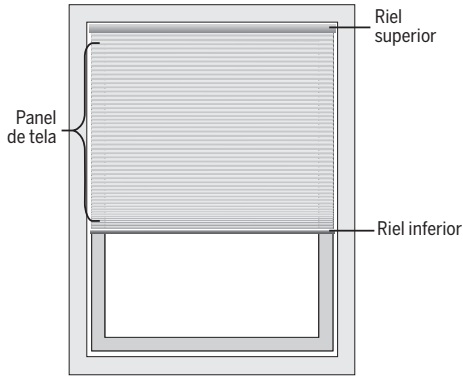
### Profundidad mínima requerida para una instalación correcta de la cortina (en pulgadas)

Sistema operativo	Profundidad mínima de instalación	Profundidad mínima para una instalación al ras o una instalación totalmente empotrada del riel superior
Motorizada	1 ¼	2 ¼

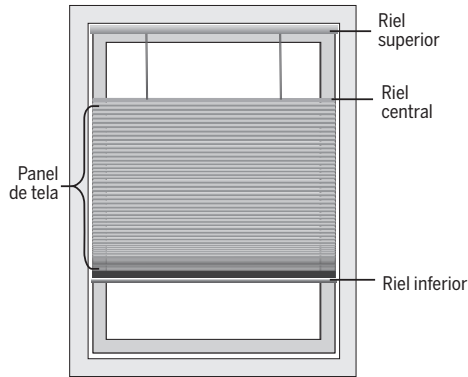
**Cuña:** Una pieza fina de metal que se utiliza para alinear las piezas y ajustarlas en la posición correcta.

## ESTILOS DE ELEVACIÓN

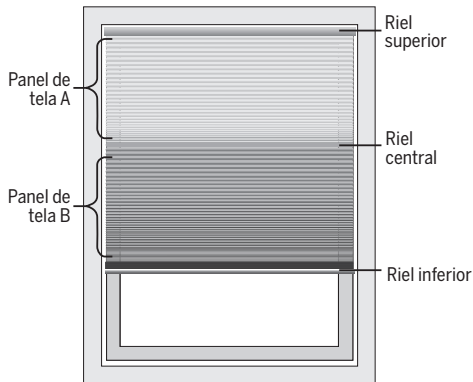
Cortina ascendente



Cortina descendente/ascendente

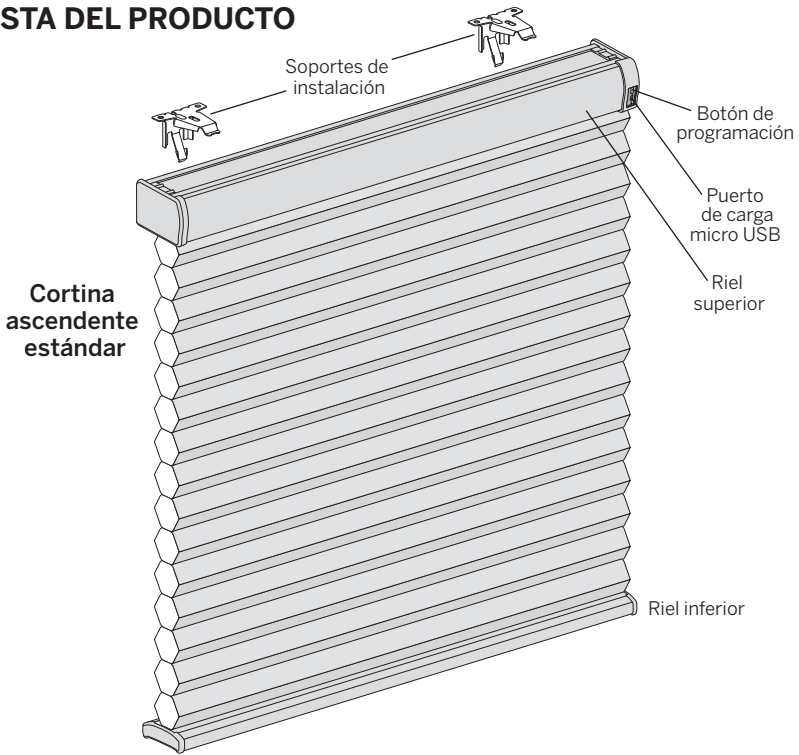


Cortina de día y de noche





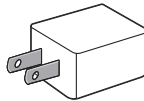
## VISTA DEL PRODUCTO



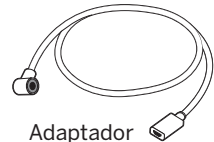
No se muestra: persianas ascendentes/descendentes y día/noche



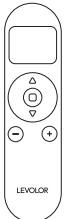
Cable de carga micro USB



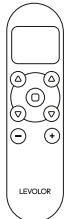
Adaptador de alimentación



Adaptador de carga magnética



Control remoto estándar



Control remoto para persianas ascendentes/descendentes, día/noche



Baterías AAA (paquete de 2)



Soporte del control remoto



Concentrador (opcional)

Kit del control remoto (opcional)

# INTRODUCCIÓN

## COMPONENTES INCLUIDOS



Cortina celular



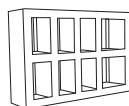
Tornillos de cabeza hexagonal (2 por soporte)



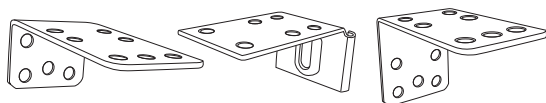
Tornillo de cabeza plana n.º 6 para usar en instalaciones finales (incluidos)



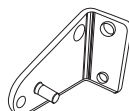
Tuerca de bloqueo rápido y tornillo (se incluyen dos con cada soporte de extensión)



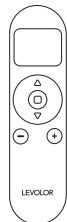
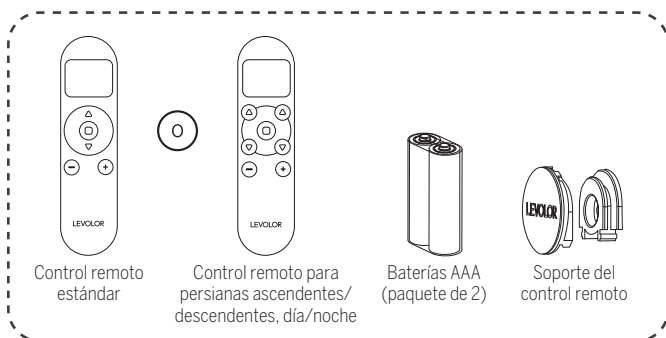
Bloque espaciador (opcionales)



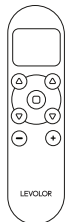
Soportes de instalación lateral/de extensión (opcionales)



Soporte de sujeción (opcionales)



Control remoto estándar



Control remoto para persianas ascendentes/descendentes, día/noche



Baterías AAA (paquete de 2)



Soporte del control remoto



Concentrador (opcional)

Kit del control remoto (opcional)

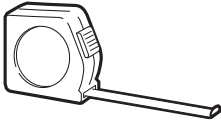
- Cortina
- Soportes de montaje
- Materiales de instalación
- Equipo del control remoto
- Otros accesorios (opcional)

Se incluirán los elementos opcionales si se seleccionaron en el momento de realizar la compra de la cortina.

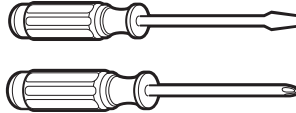
## HERRAMIENTAS Y SUJETADORES QUE PUEDE NECESITAR (no incluidos)

Las herramientas que necesitará para instalar la cortina variarán en función de la superficie y el tipo de soporte de instalación.

Entre las herramientas que habitualmente se emplean para la instalación, se incluyen las siguientes:



Cinta métrica metálica



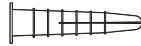
Destornilladores  
(tanto de punta plana  
como tipo Phillips)



Llave de tuerca de 1/4"



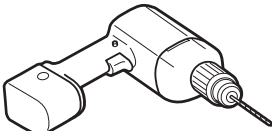
Gafas de seguridad



Taquetes para  
paneles de yeso



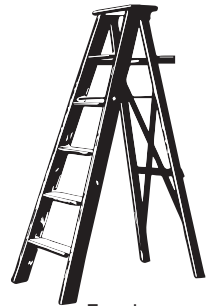
Lápiz



Taladro con brocas  
Broca de 3/32"  
Destornillador hexagonal  
de 1/4"



Nivelador



Escalera

**NOTA:** Podrían necesitarse tornillos más largos con soportes de extensión y separadores. No se muestran en la imagen.



**PRECAUCIÓN:** Utilice taquetes para paneles de yeso cuando la instalación se haga sobre un panel de ese material. (No suministrados). Si coloca la cortina de manera incorrecta, podría ocasionar que se caiga y podría provocar una lesión.

# INTRODUCCIÓN

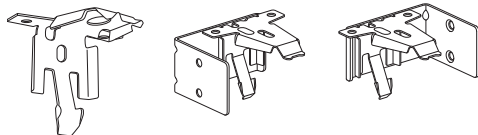
## DESCRIPCIÓN GENERAL DE LA INSTALACIÓN

- Su compra incluirá la cantidad correcta de soportes de instalación para el ancho de la cortina, tal como se muestra en la siguiente tabla.

Ancho de la cortina	Se requieren soportes
Hasta 36"	2
36" – 72"	3
72" – 108"	4
108" – 120"	5

Soporte

Soporte de instalación final

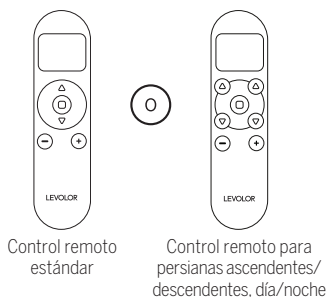


## INSTALACIÓN INTERIOR (II) – ANTES DE COMENZAR

### EMPAREJE LA PERSIANA ANTES DE INSTALAR

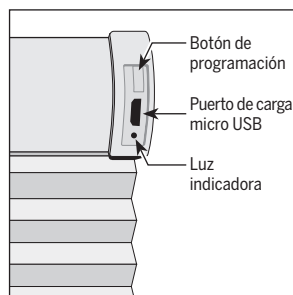
#### CONTROL REMOTO

- Utilice los botones **-** y **+** para seleccionar el canal para emparejar.
- Mantenga presionado el botón de programación en la decoración de ventanas durante aproximadamente 2 segundos hasta que la persiana se mueva una vez.
- En los próximos 10 segundos, mantenga presionado **■** en el control remoto hasta que la persiana se mueva dos veces.

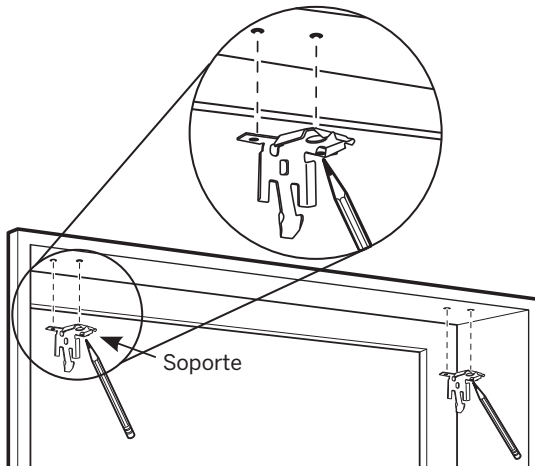


#### USO DE LA APLICACIÓN INMOTION

- Si compró un concentrador, descargue la aplicación LEVOLOR InMotion™ para comenzar.
- La persiana puede emparejarse directamente con la aplicación, pero se recomienda emparejar primero con el control remoto.

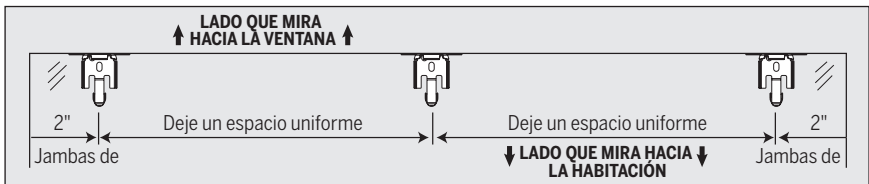


## INSTALACIÓN INTERIOR (II)



### PASO1: MARCAR LA UBICACIÓN DE LOS SOPORTES

- Marque entre 1" y 2" en cada jamba para ubicar el soporte.
  - Si en su compra se incluyen más de dos soportes de instalación, coloque el (los) soporte(s) adicional(es) espaciándolo(s) de manera uniforme entre los dos soportes de los extremos.
  - Instale el producto sobre madera siempre que sea posible.



- Coloque los soportes en el centro de las marcas que hizo y, luego, marque cada orificio de los tornillos.
  - La profundidad mínima para la instalación de los soportes es de 3,17 cm.
  - La profundidad mínima para un montaje totalmente empotrado es de 5,71 cm.
  - Utilice el centro del orificio del tornillo cuando la profundidad lo permita.
  - Utilice los dos tornillos de mariposa en instalaciones de poca profundidad.

**IMPORTANTE:** los soportes deben estar nivelados y alineados entre sí.

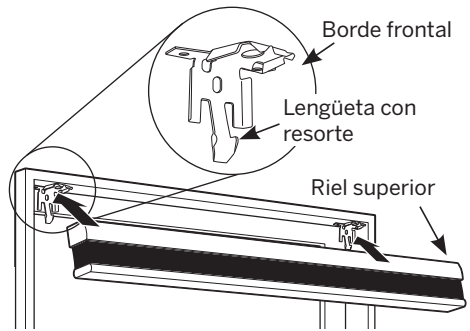
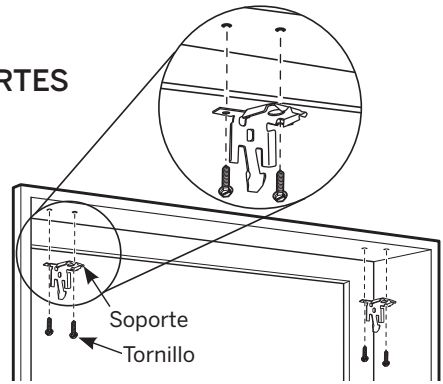
# INSTALACIÓN

## INSTALACIÓN INTERIOR (II)

### PASO 2: INSTALAR LOS SOPORTES

- Perfore los orificios de los tornillos con una broca de  $\frac{3}{32}$ ".
- Fije los soportes de instalación con los tornillos suministrados. Se utilizan dos tornillos por soporte.
- Asegúrese de que todos los soportes estén alineados entre sí.

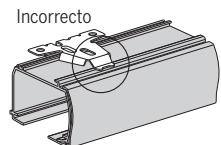
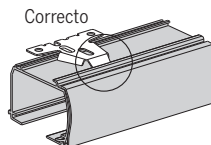
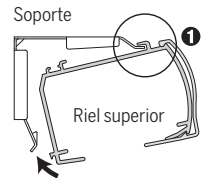
**IMPORTANTE:** use las anclas de expansión para panel de yeso cuando instale en el panel de yeso.



### PASO 3: INSTALAR LA CORTINA Y EL RIEL SUPERIOR

- Ajuste el canal frontal del riel superior en el borde frontal de los soportes de instalación.
- Presione el riel superior hacia arriba y hacia abajo hasta que encaje en el lugar correcto.
- Verifique que el riel superior haya quedado bien ajustado en los soportes.
  - Verifique que la parte inferior del riel superior calce perfectamente en la base de cada soporte.
  - Verifique que el borde frontal de cada soporte esté en el canal frontal del riel superior.
  - Si algún soporte no se instaló correctamente, quite la cortina y vuelva a realizar la instalación. Consulte la sección "Cómo quitar las cortinas (si es necesario)" en la página 37.

La parte frontal del soporte se ajusta a la ranura.

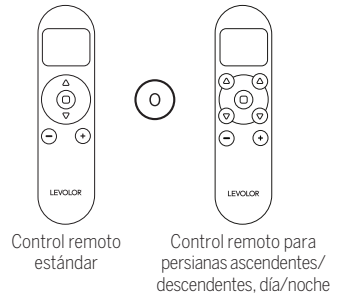


## INSTALACIÓN EXTERIOR (IE) – ANTES DE COMENZAR

### EMPAJE LA PERSIANA ANTES DE INSTALAR

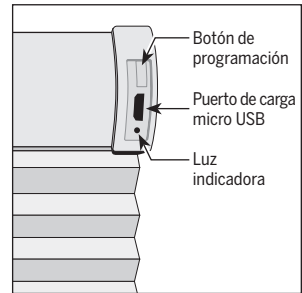
#### CONTROL REMOTO

- Utilice los botones **-** y **+** para seleccionar el canal para emparejar.
- Mantenga presionado el botón de programación en la decoración de ventanas durante aproximadamente 2 segundos hasta que la persiana se mueva una vez.
- En los próximos 10 segundos, mantenga presionado **■** en el control remoto hasta que la persiana se mueva dos veces.



#### USO DE LA APLICACIÓN INMOTION

- Si compró un concentrador, descargue la aplicación LEVOLOR InMotion™ para comenzar.
- La persiana puede emparejarse directamente con la aplicación, pero se recomienda emparejar primero con el control remoto.

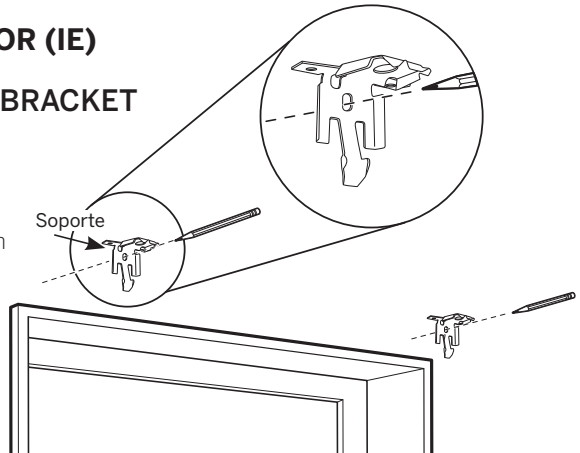


## INSTALACIÓN EXTERIOR (IE)

### STEP 1: MARKING THE BRACKET LOCATIONS

**NOTA:** La parte posterior de los soportes debe estar alineada con una superficie de instalación plana. NO instale los soportes en molduras curvas.

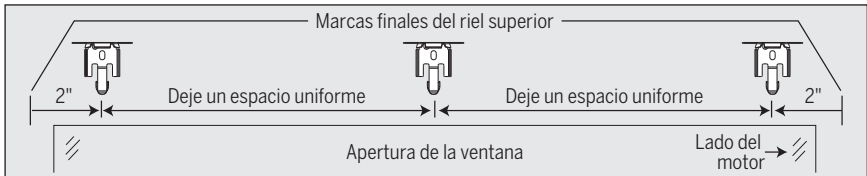
- Coloque el riel superior sobre el centro de la abertura de la ventana a la altura deseada.
- Use un lápiz para marcar levemente cada extremo del riel superior.
  - De manera alternativa, mida el ancho del riel superior y use ese ancho para marcar los puntos finales de este sobre la abertura de la ventana.
- Marque aproximadamente entre 1" y 2" desde cada extremo del riel superior para las posiciones del soporte de instalación.
  - Deje un mínimo de ¼ pulgadas entre la parte inferior del soporte de instalación y la parte superior de la moldura de la ventana.



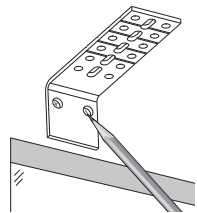
# INSTALACIÓN

## INSTALACIÓN EXTERIOR (IE)

- Marque con un lápiz las ubicaciones de los tornillos del soporte de instalación o extensión a través de los orificios posteriores rectangulares del soporte más grandes. Utilice 2 tornillos por soporte.
- Use un nivelador para garantizar que todos los soportes estén alineados.
- Si en su compra hay más de dos soportes de instalación, coloque los soportes adicionales de manera uniforme entre los dos soportes de los extremos a no más de 30" de distancia y marque las ubicaciones de los orificios.



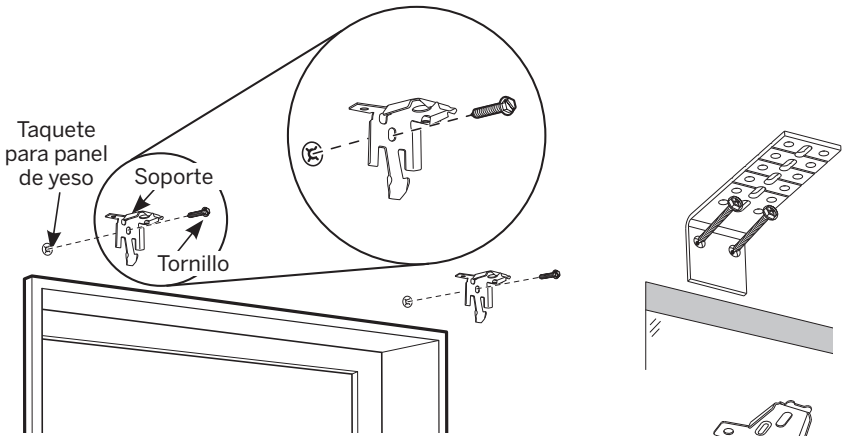
- Coloque los soportes en el centro de las marcas que hizo y, luego, marque cada orificio de los tornillos.
  - Se requiere una superficie vertical plana de  $\frac{1}{4}$ " como mínimo para instalar los soportes.
  - La parte superior de los soportes de instalación o los soportes de extensión debe colocarse a la altura deseada para la cortina. Los soportes deben estar nivelados y alineados.
  - Cuando utilice los soportes de extensión, marque dos orificios para los tornillos por soporte.



**PRECAUCIÓN:** La parte posterior de los soportes debe estar alineada con una superficie de instalación plana. NO instale los soportes en molduras curvas.



## INSTALACIÓN EXTERIOR (IE)



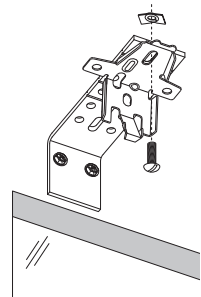
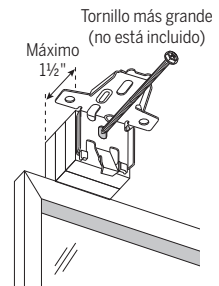
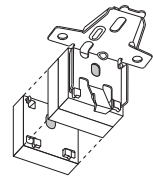
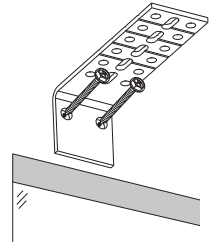
### PASO 2: INSTALAR LOS SOPORTES

**NOTA:** use las anclas de expansión para panel de yeso cuando instale en el panel de yeso.

- Perfore los orificios para los tornillos con una broca de  $\frac{3}{32}$ ".
- Fije los soportes de instalación o de extensión con los tornillos suministrados.

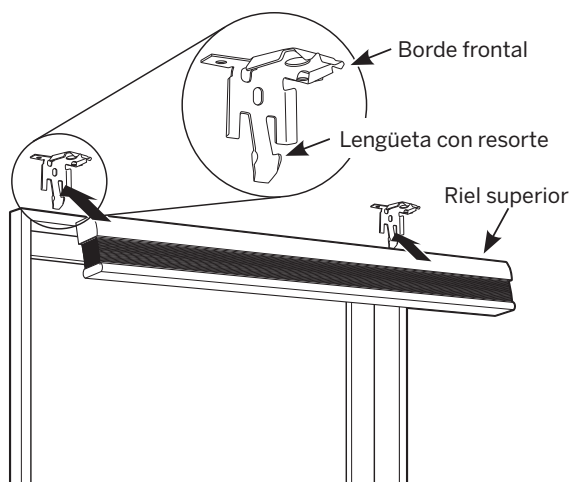
**IMPORTANTE:** Los bordes frontales de los soportes de instalación deben estar nivelados y alineados entre sí.

- Si utiliza bloques espaciadores para lograr una mayor altura, los bloques espaciadores y las cuñas pueden estar apilados.
  - Se recomienda un máximo de  $1\frac{1}{2}$ " de altura adicional con bloques espaciadores y cuñas.
- Coloque los bloques espaciadores y los soportes de instalación en una superficie de instalación plana con tornillos de montaje n.º 6 lo suficientemente largos como para sujetar la instalación.
  - La parte superior de los bloques espaciadores deben colocarse a la altura deseada para la cortina.
  - Si utiliza soportes de extensión, coloque un soporte de instalación en la parte inferior de cada soporte de extensión con los tornillos y las tuercas de bloqueo rápido.



# INSTALACIÓN

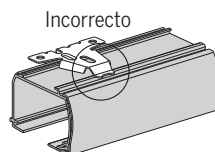
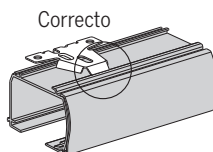
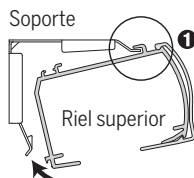
## INSTALACIÓN EXTERIOR (IE)



### PASO 3: INSTALAR LA CORTINA Y EL RIEL SUPERIOR

- Ajuste el canal frontal del riel superior en el borde frontal de los soportes de instalación.
- Presione el riel superior hacia arriba y hacia abajo hasta que encaje en el lugar correcto.
- Verifique que el riel superior haya quedado bien ajustado en los soportes.
  - Verifique que la parte inferior del riel superior calce perfectamente en la base de cada soporte.
  - Verifique que el borde frontal de cada soporte esté en el canal frontal del riel superior.
  - Si algún soporte no se instaló correctamente, quite la cortina y vuelva a realizar la instalación. Consulte la sección “Cómo quitar las cortinas (si es necesario)” en la página 37.

La parte frontal del soporte se ajusta a la ranura.



## INSTALACIÓN LATERAL

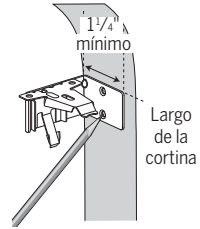
### PASO 1: MARCAR LA UBICACIÓN DE LOS SOPORTES

Utilice la instalación final del riel superior cuando las técnicas de instalación convencional no funcionen; por ejemplo, en la abertura de una ventana arqueada.

- Coloque los soportes de instalación final de manera tal que la parte superior de los soportes de instalación fijados queden a la altura de la cortina que compró.

**IMPORTANTE:** Ambos soportes deben estar instalados con la misma profundidad y altura.

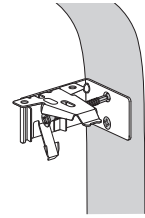
- Marque los orificios para los tornillos.
  - La superficie de instalación debe ser vertical y plana, es decir, no debe ser una superficie arqueada.



### PASO 2: INSTALAR LOS SOPORTES

- Perfore la superficie con una broca de  $\frac{3}{32}$ ".
- Fije los soportes de instalación final con los tornillos de cabeza plana suministrados.

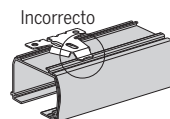
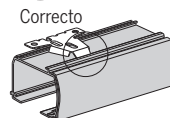
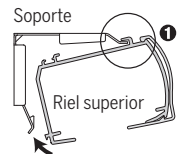
**NOTA:** No se recomienda realizar la instalación sobre paneles de yeso.



### PASO 3: INSTALAR LA CORTINA Y EL RIEL SUPERIOR

- Ajuste el canal frontal del riel superior en el borde frontal de los soportes de instalación.
- Presione el riel superior hacia arriba y hacia abajo hasta que encaje en el lugar correcto.
- Verifique que el riel superior haya quedado bien ajustado en los soportes.
  - Verifique que la parte inferior del riel superior calce perfectamente en la base de cada soporte.
  - Verifique que el borde frontal de cada soporte esté en el canal frontal del riel superior.
  - Si algún soporte no se instaló correctamente, quite la cortina y vuelva a realizar la instalación. Consulte la sección "Cómo quitar las cortinas (si es necesario)" en la página 37.

La parte frontal del soporte se ajusta a la ranura.



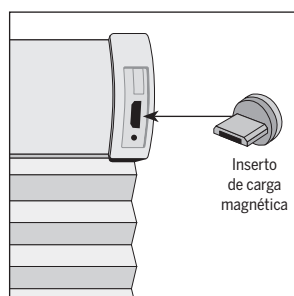
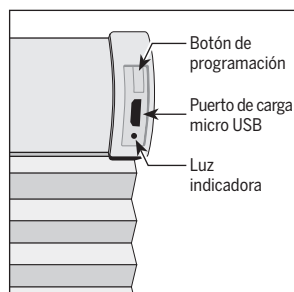
### FUNCIONAMIENTO REMOTO

- Escanee la guía remota.



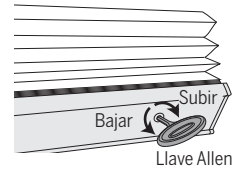
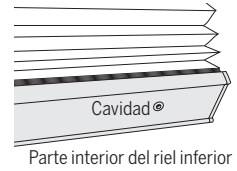
### CARGA DE LA BATERÍA

- La batería recargable está integrada en el riel superior de la persiana.
- Para la carga estándar, retire el inserto de carga magnético del riel superior. Use el cable de carga microUSB y el adaptador de alimentación para cargar la persiana.
- Para facilitar el acceso al puerto de carga, se instaló un adaptador de carga magnético extraíble durante la producción. Conecte el adaptador de carga magnético al cable de carga microUSB y al adaptador de alimentación antes de conectarlo al riel superior para cargar.
- Estado de la batería de la luz indicadora:
  - Bajo (destello rojo)
  - Cargando (destello verde)
  - Cargado (verde sólido)
- Se recomienda cargar completamente la persiana antes del primer uso.



## NIVELAR EL RIEL INFERIOR (SI ES NECESARIO)

- Levante el riel inferior para ubicar las cavidades en la parte interior del riel.
- Tire suavemente del riel inferior para insertar completamente la llave Allen de  $\frac{7}{64}$ " en la cavidad. La llave se inserta completamente cuando el aro de la llave toca la cavidad.
  - Levante suavemente el riel inferior antes de girar la llave Allen. Gire la llave en dirección a las agujas del reloj para levantar ese lado del riel inferior o en dirección contraria a las agujas del reloj para bajarlo.
  - Girar la llave un cuarto equivale aproximadamente a  $\frac{1}{4}$ ".

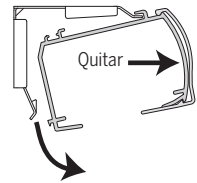
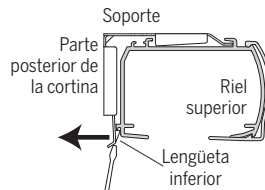


**IMPORTANTE:** La llave Allen debe estar completamente adentro para evitar la remoción del mecanismo. No tire hacia abajo el riel inferior mientras está girando la llave.

- Si hay más de dos cavidades, ajuste la cavidad externa primero. Luego, ajuste las cavidades internas que sean necesarias, a fin de mantener una tensión uniforme en todo el riel inferior. A medida que ajusta las cavidades, se recomienda subir y bajar la cortina para controlar que esté nivelada.

## CÓMO QUITAR LAS CORTINAS (SI ES NECESARIO)

- Baje la cortina aproximadamente 4".
- Mientras sujeta el riel superior, tire hacia atrás la lengüeta inferior del soporte de instalación para quitar el borde inferior del riel superior.
- Después de quitar el borde inferior, gire la parte trasera del riel superior hacia abajo y quítela del soporte.



## INFORMACIÓN ADICIONAL Y ASISTENCIA

---

### PROCEDIMIENTOS DE LIMPIEZA

Todas las cortinas celulares LEVOLOR están hechas de 100 % poliéster y se pueden limpiar de diversas maneras. Estas cortinas son fáciles de cuidar y conservarán su hermosa apariencia en el futuro.

**AVISO:** Evite el contacto con productos de limpieza de ventanas. La limpieza inadecuada puede dañar la cortina y anular la garantía.



#### LIMPIEZA DEL POLVO

Utilice un plumero para retirar el polvo de manera regular.



#### AIRE FORZADO

Elimine los restos y la suciedad con aire comprimido limpio.



#### LIMPIEZA PROFESIONAL POR INYECCIÓN/EXTRACCIÓN

Llame a un limpiador de cortinas a domicilio que inyecte una solución limpiadora sobre la tela de la cortina y extraiga la solución sucia al mismo tiempo. El servicio se brinda generalmente a domicilio, por lo cual no necesita desmontar los accesorios de la ventana.



#### PASAR LA ASPIRADORA

Utilice una aspiradora de succión baja con un cepillo tipo brocha y páselo suavemente por la cortina para limpiarla.



#### LIMPIEZA/ELIMINACIÓN DE MANCHAS EN EL HOGAR

Utilice agua caliente y un jabón suave, como por ejemplo Woolite® o Scotchgard®, si fuese necesario. No sumerja la cortina en agua.

### Aviso sobre las telas

Como sucede con todos los materiales, las telas de las cortinas celulares pueden sufrir algunas variaciones. Este producto textil se puede arrugar, fruncir o arquear levemente, y esto debe considerarse como parte de una calidad normal y aceptable. Estas características por lo general no son visibles desde el frente o desde atrás, pero es posible que se noten desde los costados.

Se deben tomar precauciones para reducir la exposición a las agresiones del medioambiente, como el aire salado. La exposición continua a través de las ventanas y puertas abiertas acelerará el proceso de deterioro de la tela.

**AVISO:** Una limpieza incorrecta puede anular la garantía.

## SOLUCIÓN DE PROBLEMAS

Si la cortina no funciona correctamente:

- En primer lugar, consulte la guía que viene con el dispositivo de control.
- Consulte los siguientes procedimientos para encontrar una solución específica a los problemas que tenga con la cortina.

Si aún tiene inquietudes, comuníquese con el Servicio al Consumidor de LEVOLOR al 1-800-LEVOLOR o al 1-800-538-6567.

<b>Problema</b>	<b>La cortina no cabe en los soportes de instalación.</b>
<b>Solución</b>	Controle que los soportes de instalación estén nivelados y alineados. Ajuste o coloque una cuña para nivelar los soportes si es necesario. Asegúrese de que las cabezas de los tornillos de montaje estén al ras del soporte de instalación. Asegúrese de que la tela de la cortina no esté apretada entre el soporte de instalación y el riel superior. Verifique que el riel superior esté completamente adentro de los soportes de instalación.
<b>Problema</b>	<b>La cortina se levanta o se baja de manera despareja o el riel inferior está desnivelado cuando la cortina está completamente levantada.</b>
<b>Solución</b>	Baje la cortina completamente para corregir la parte despareja. Controle que el riel superior y los soportes de instalación estén nivelados y alineados. Coloque una cuña en los soportes de instalación para nivelar el riel superior, si es necesario. Ajuste el riel inferior. Consulte la sección “Nivelar el riel inferior (si es necesario)” en la página 37.

## GARANTÍA

Para obtener información completa sobre la garantía, visite [LEVOLOR.com](http://LEVOLOR.com) o llame al Servicio de Atención al Cliente al 1-800-LEVOLOR o 1-800-538-6567.

## COMUNÍQUESE CON NOSOTROS

Para comunicarse con el Servicio de Atención al Cliente de LEVOLOR y presentar cualquier duda o pregunta que pueda tener sobre su nueva cortina, llámenos al 1-800-LEVOLOR (de 9:00 am – 6:00 pm., hora del este).

[www.LEVOLOR.com](http://www.LEVOLOR.com)

## PIEZAS Y SERVICIOS ADICIONALES

Puede solicitar piezas adicionales o de repuesto; asimismo, las cortinas se pueden reparar o se les puede cambiar el cordón en nuestro centro de reparaciones. Comuníquese con el servicio de atención al cliente de LEVOLOR a través de [www.LEVOLOR.com](http://www.LEVOLOR.com) para obtener un número de autorización de devolución.





# LEVOLOR®

## Toiles alvéolées

---

INSTALLATION • FONCTIONNEMENT • ENTRETIEN



Commande de levage motorisée

## CONTENU

### Pour commencer

Terminologie des fenêtres et des stores .....	43–44
Aperçu du produit .....	45
Composants inclus.....	46
Outils et attaches dont vous pourriez avoir besoin.....	47

### Installation

Aperçu de l'installation .....	48
Installation à l'intérieur du châssis.....	48–50
Installation à l'extérieur du châssis .....	51–54
Installation sur le côté.....	55

### Fonctionnement

Fonctionnement de la télécommande.....	56
Chargement de la pile .....	56
Mettre le rail inférieur à niveau .....	57
Enlever le store.....	57

### Renseignements supplémentaires et assistance

Procédures de nettoyage.....	58
Dépannage.....	59
Garantie .....	59
Service d'aide à la clientèle.....	59

#### **RÉSIDENTS DU CANADA SEULEMENT**

- Le fonctionnement des systèmes varie d'un pays à l'autre. Composez le 1 866 937-1875 pour obtenir plus de renseignements.
- Pour toute question relative à la sécurité, composez le 1 866 662-0666 ou visitez le [www.canada.ca](http://www.canada.ca) et recherchez « cordons de stores ».
- Ces instructions comprennent des références à certaines caractéristiques de l'article et capacités de fonctionnement qui peuvent ne pas être offertes au Canada.

#### **AVERTISSEMENT RISQUES D'ÉTRANGLEMENT —**

Les jeunes enfants sont susceptibles de s'étrangler avec les cordons. Retirez immédiatement cet article si un cordon de plus de 22 cm ou une boucle de plus de 44 cm peuvent être accessibles.

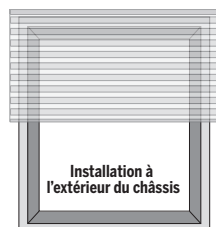
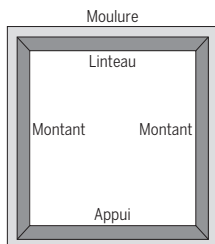


**AVERTISSEMENT :** Gardez toutes les petites pièces, ainsi que tous les composants et emballages hors de la portée des enfants, car ils représentent un risque d'étouffement potentiel, lequel peut entraîner de graves blessures ou la mort. Veuillez vous référer à l'ensemble des étiquettes d'avertissement qui se trouvent dans les instructions et sur le store.

# TERMINOLOGIE DES FENÊTRES ET DES STORES

Merci d'avoir acheté les toiles alvéolées LEVOLOR®. Avec une installation, une utilisation et un entretien appropriés, votre nouvelle toile alvéolée durera des années tout en ayant belle apparence. Veuillez lire attentivement ce livret d'instructions avant de commencer l'installation.

## TERMINOLOGIE DES TYPES DE MONTAGE ET DES FENÊTRES



### Terminologie des composants des fenêtres

- Collectivement, l'appui et les montants forment ce que l'on appelle le « cadre de la fenêtre » ou le « châssis ».

### Installation à l'intérieur du châssis

- Le store s'installe à l'intérieur du cadre de la fenêtre.
- Idéal pour les fenêtres avec des moulures ornementales.

### Installation à l'extérieur du châssis

- Le store s'installe à l'extérieur du cadre de la fenêtre.
- Meilleur dosage de la lumière et plus grande intimité.

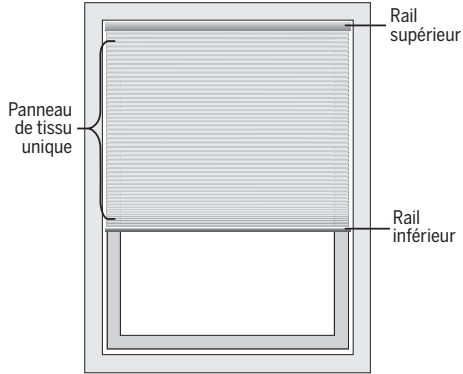
### Profondeurs minimales requises pour l'installation adéquate du store (cm et po)

Mécanisme	Profondeur de montage minimum	Profondeur minimum pour encastrement complet du rail supérieur
Motorisé	1 ¼	2 ¼

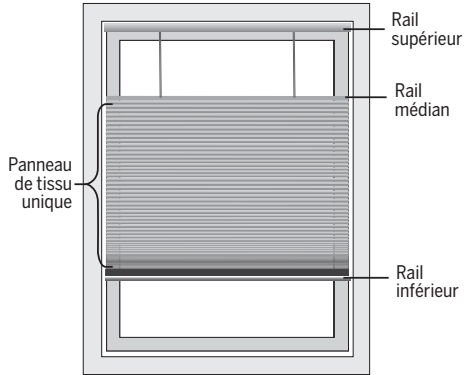
**Cale** – Bande mince utilisée pour aligner les pièces afin de les ajuster.

## STYLES DE LEVAGE

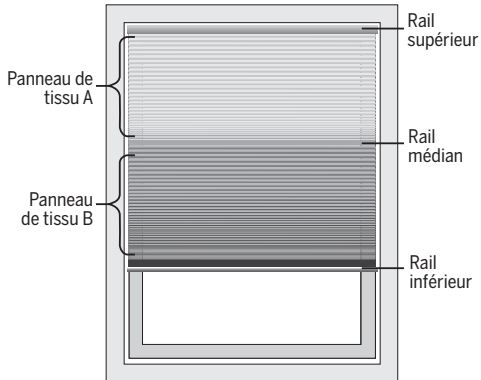
Store ascendant



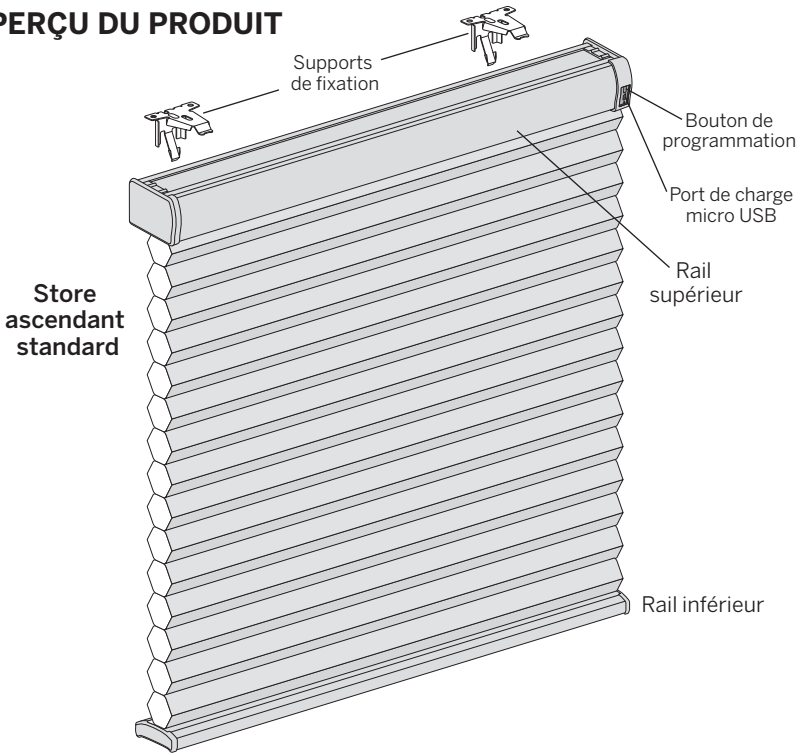
Store descendant/ascendant



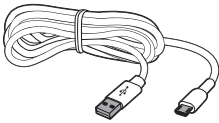
Store jour/nuit



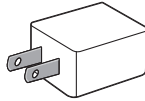
**APERÇU DU PRODUIT**



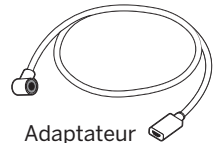
Non illustré : stores à ouverture du haut vers le bas et du bas vers le haut et avec fonction jour/nuit



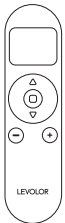
Câble de chargement micro-USB



Adaptateur d'alimentation

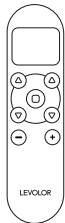


Adaptateur de chargeur magnétique



Télécommande standard

OU



Télécommande pour ouverture du haut vers le bas et du bas vers le haut et fonction jour/nuit



Pile AAA (Emballage de 2)



Support de télécommande



Concentrateur (facultatif)

**Ensemble de télécommande (optionnel)**

# POUR COMMENCER

## COMPOSANTS INCLUS



Toile alvéolée



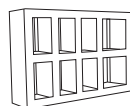
Vis à tête hexagonale  
(deux par support)



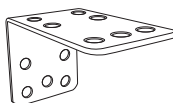
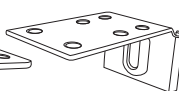
Tournevis à tête plate n° 6 pour utilisation avec les installations aux extrémités (fournis)



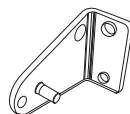
Écrou de verrouillage et vis  
(deux fournis avec chaque support d'extension)



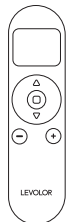
Cale d'écartement (optionnelle)



Supports d'extension et pour installation latérale (optionnels)

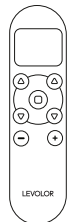


Support de retenue (optionnel)



Télécommande standard

OU



Télécommande pour ouverture du haut vers le bas et du bas vers le haut et fonction jour/nuit



Pile AAA (Emballage de 2)



Support de télécommande

Ensemble de télécommande (optionnel)



Concentrateur (facultatif)

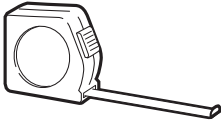
- Store
- Supports de montage
- Matériel d'installation
- Ensemble de télécommande
- Autres accessoires (optionnels)

Les articles optionnels seront inclus, s'ils sont sélectionnés au moment de la commande du store.

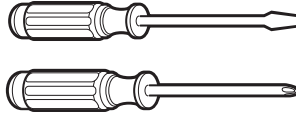
## **OUTILS ET ATTACHES DONT VOUS POURRIEZ AVOIR BESOIN (non inclus)**

Les outils dont vous aurez besoin pour installer votre store varieront en fonction de la surface d'installation et du type de support de montage.

Les outils généralement utilisés pour l'installation incluent :



Ruban à mesurer  
en métal



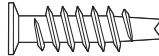
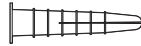
Tournevis  
(plat et cruciforme)



Tournevis à douille de  
0,6 cm (1/4 po)



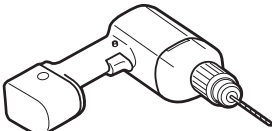
Lunettes de sécurité



Ancrages de cloison sèche



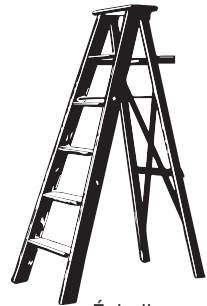
Crayon



Perceuse avec mèches  
Mèche de 0,2 cm (3/32 po) et  
tournevis à tête hexagonale  
de 0,6 cm (1/4 po)



Niveau



Échelle

**Remarque:** Des vis plus longues peuvent être nécessaires avec des supports d'extension et des espaceurs; non montrées.



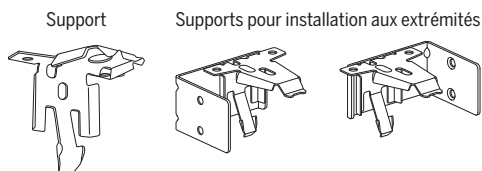
**MISE EN GARDE:** Utilisez des ancrages de cloison sèche pour une installation dans des cloisons sèches. (Non fournis.) Si le store n'est pas correctement ancré, il pourrait tomber et entraîner des blessures.

# INSTALLATION

## APERÇU DE L'INSTALLATION

- Votre commande comprendra le nombre adéquat de supports de fixation pour la largeur de votre store, comme indiqué dans le tableau.

Largeur du store	Supports requis
Jusqu'à 91,4 cm (36 po)	2
91,4 cm (36 po) – 182,9 cm (72 po)	3
182,9 cm (72 po) – 274,3 cm (108 po)	4
274,3 cm (108 po) – 304,8 cm (120 po)	5

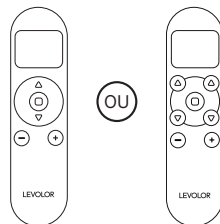


## INSTALLATION À L'INTÉRIEUR DU CHÂSSIS (IIC) – AVANT DE COMMENCER

### VEUILLEZ JUMELER LES STORES AVANT L'INSTALLATION

#### TÉLÉCOMMANDE

- Utilisez les boutons des flèches «-» et «+» pour sélectionner le canal auquel vous souhaitez jumeler la télécommande.
- Appuyez sur le bouton de programmation de l'habillage de fenêtre et maintenez-le enfoncé pendant environ 2 secondes, jusqu'à ce que le store se déplace.
- Dans les 10 secondes suivantes, appuyez sur le bouton « ON » (marche) de la télécommande et maintenez-le enfoncé jusqu'à ce que le store se déplace deux fois.

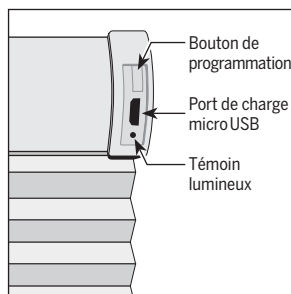


Télécommande standard

Télécommande pour ouverture du haut vers le bas et du bas vers le haut et fonction jour/nuit

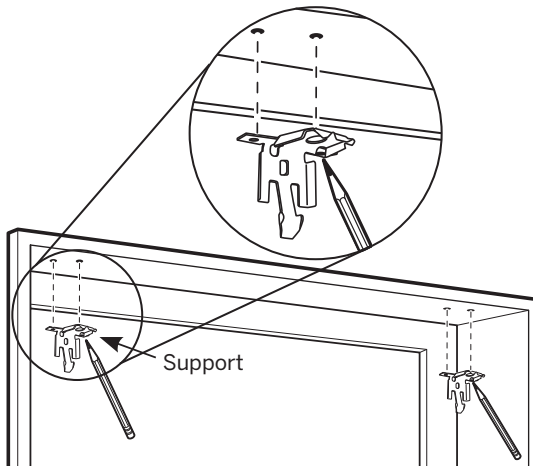
#### UTILISATION DE L'APPLICATION INMOTION

- Si vous avez acheté un concentrateur, téléchargez l'application LEVOLOR InMotion™ pour commencer.
- Le store peut être jumelé directement à l'application, mais il est recommandé de le jumeler d'abord à la télécommande.



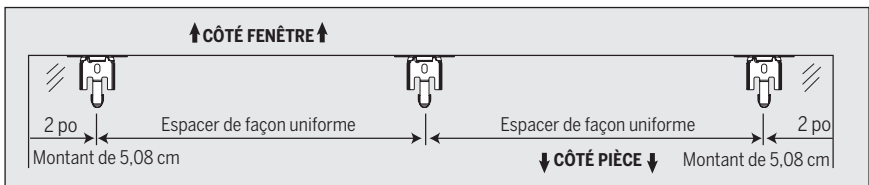


## INSTALLATION À L'INTÉRIEUR DU CHÂSSIS (IIC)



### ÉTAPE1: MARQUAGE DE L'EMPLACEMENT DES SUPPORTS

- Faites une marque à 5,1 cm (2 po) de chaque montant pour indiquer l'emplacement du support.
  - Si votre commande comprend plus de deux supports de fixation, placez le/les support(s) supplémentaire(s) à égale distance entre les deux supports d'extrémité.
  - Installez dans le bois lorsque c'est possible.



- Centrez les supports sur vos marques et marquez ensuite chacun des trous pour les vis.
  - La profondeur de châssis minimale pour fixer les supports d'installation est de 3,17 cm.
  - La profondeur de châssis minimale pour fixer un support d'installation complètement encastré à l'intérieur du châssis est de 5,71 cm.
  - Utilisez le trou central pour la vis lorsque la profondeur le permet.
  - Utilisez les deux trous pour les vis à oreille avec les petites profondeurs de montage.

**IMPORTANT :** Les supports doivent être de niveau et alignés.

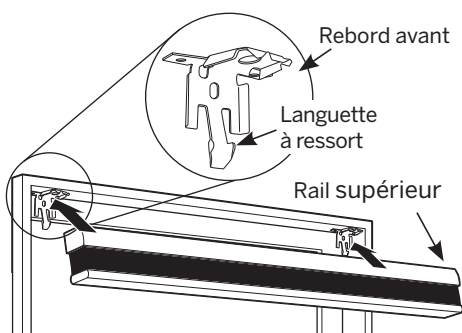
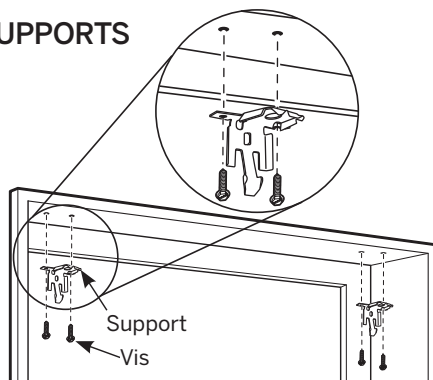
# INSTALLATION

## INSTALLATION À L'INTÉRIEUR DU CHÂSSIS (IIC)

### ÉTAPE 2: INSTALLATION DES SUPPORTS

- Percez les trous pour les vis en utilisant une mèche de 0,2cm ( $\frac{3}{32}$  po).
- Fixez les supports de fixation à l'aide des vis fournies. Deux vis par support.
- Assurez-vous que tous les supports sont bien alignés.

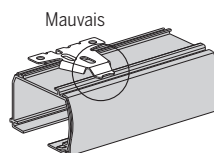
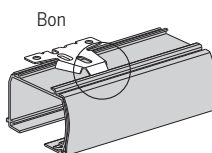
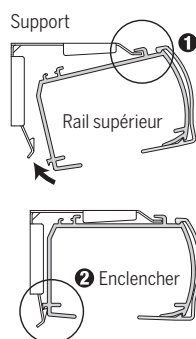
**IMPORTANT :** Utilisez des chevilles d'ancrage pour un montage sur une cloison sèche.



### ÉTAPE 3: INSTALLATION DU STORE – MONTAGE DU RAIL SUPÉRIEUR

- Ajustez la rainure avant sur le dessus du rail supérieur sur le rebord avant des supports de fixation.
- Poussez le rail supérieur de haut en bas, jusqu'à ce qu'il s'enclenche.
- Assurez-vous que le rail supérieur est fixé solidement dans les supports.
  - Assurez-vous que le bas du rail supérieur est enclenché dans la base de chaque support.
  - Assurez-vous que le rebord avant de chaque support se situe dans la rainure avant du rail supérieur.
  - Si un support n'est pas installé correctement, enlevez le store et réinstallez. Consultez « Retirer le store (au besoin) » à la page 57.

Le devant du support se place sous la rainure.

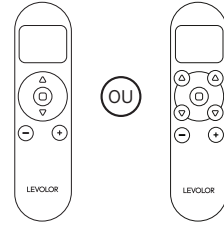


## INSTALLATION À L'EXTÉRIEUR DU CHÂSSIS (IEC) – AVANT DE COMMENCER

### VEUILLEZ JUMELER LES STORES AVANT L'INSTALLATION

#### TÉLÉCOMMANDE

- Utilisez les boutons des flèches « - » et « + » pour sélectionner le canal auquel vous souhaitez jumeler la télécommande.
- Appuyez sur le bouton de programmation de l'habillage de fenêtre et maintenez-le enfoncé pendant environ 2 secondes, jusqu'à ce que le store se déplace.
- Dans les 10 secondes suivantes, appuyez sur le bouton « ON » (marche) de la télécommande et maintenez-le enfoncé jusqu'à ce que le store se déplace deux fois.

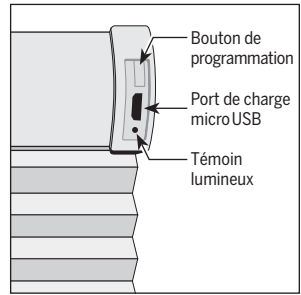


Télécommande standard

Télécommande pour ouverture du haut vers le bas et du bas vers le haut et fonction jour/nuit

#### UTILISATION DE L'APPLICATION INMOTION

- Si vous avez acheté un concentrateur, téléchargez l'application LEVOLOR InMotion™ pour commencer.
- Le store peut être jumelé directement à l'application, mais il est recommandé de le jumeler d'abord à la télécommande.

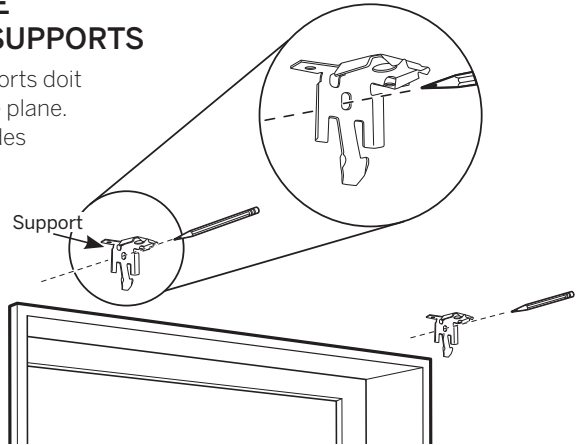


## INSTALLATION À L'EXTÉRIEUR DU CHÂSSIS (IEC)

### ÉTAPE1: MARQUAGE DE L'EMPLACEMENT DES SUPPORTS

**REMARQUE:** L'arrière des supports doit affleurer une surface de montage plane. N'installez PAS les supports sur des moulures incurvées.

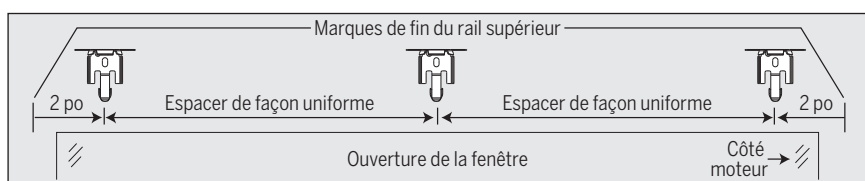
- Centrez le rail supérieur sur le cadre de la fenêtre, à la hauteur désirée.
- Utilisez un crayon pour marquer légèrement chaque extrémité du rail supérieur.
  - Vous pouvez également mesurer la largeur du rail supérieur et utiliser cette largeur pour marquer les extrémités du rail supérieur sur le cadre de la fenêtre.



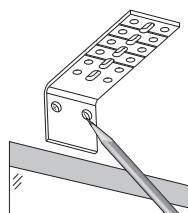
## INSTALLATION

### INSTALLATION À L'EXTÉRIEUR DU CHÂSSIS (IEC)

- Tracez une marque à environ 2,5 à 5,1 cm (1 à 2 po) de chaque extrémité du rail supérieur pour indiquer l'emplacement des supports de fixation.
  - Laissez un espace minimal de 0,6 cm (1/4 po) entre le bas du support de fixation et le haut de la moulure de la fenêtre.
- À l'aide d'un crayon, marquez l'emplacement des vis des supports de fixation ou d'extension dans les trous oblongs, plus longs, du support. Il y a deux vis par support.
- Utilisez un niveau pour vous assurer que tous les supports sont alignés.
- Si votre commande comprend plus de deux supports de fixation, placez le(s) support(s) supplémentaire(s) entre les deux supports d'extrémité, à une distance maximale de 76,2 cm (30 po), et marquez l'emplacement des trous à percer.

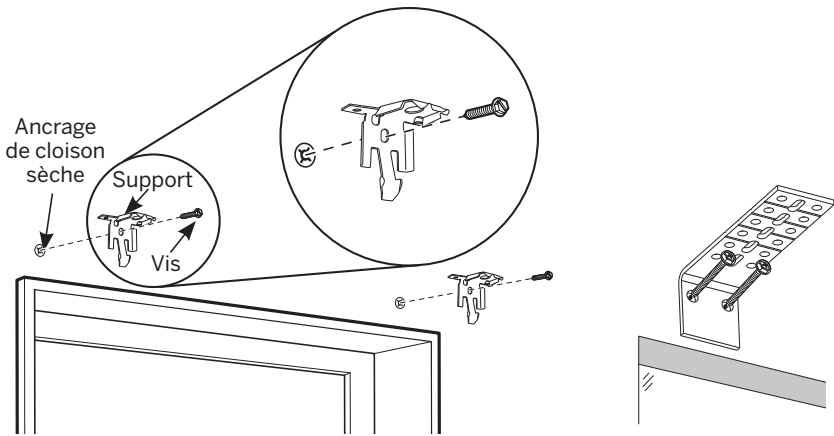


- Centrez les supports sur vos marques et marquez ensuite chacun des trous pour les vis.
  - Une surface verticale plane d'au moins 3,2 cm (1 1/4 po) est requise pour installer les supports.
  - Le haut des supports de fixation ou d'extension doit être à la hauteur désirée du store. Les supports doivent être au même niveau et alignés.
  - Lorsque vous utilisez les supports d'extension, marquez deux trous pour les vis par support.



**ATTENTION :** L'arrière des supports doit affleurer une surface de montage plane. N'installez pas les supports sur des moulures incurvées.

## INSTALLATION À L'EXTÉRIEUR DU CHÂSSIS (IEC)



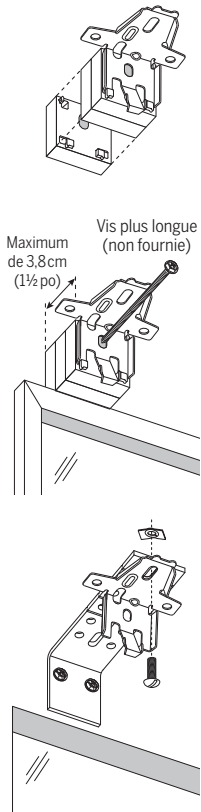
### ÉTAPE 2: INSTALLATION DES SUPPORTS

**REMARQUE:** Utilisez des chevilles d'ancrage pour un montage sur une cloison sèche.

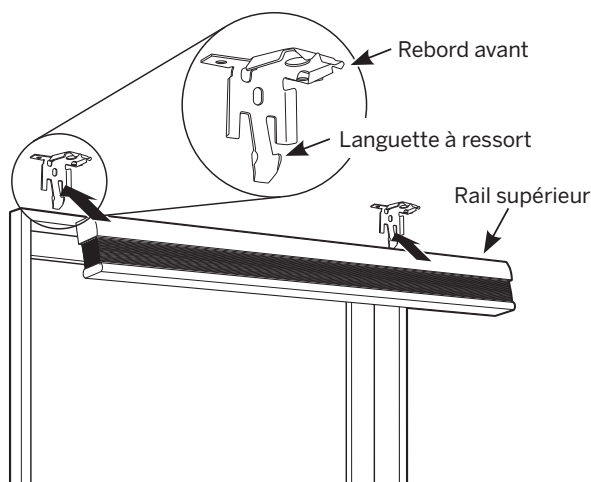
- Percez les trous pour les vis à l'aide d'une mèche de 0,2 cm ( $\frac{3}{32}$  po).
- Fixez les supports de fixation ou d'extension à l'aide des vis fournies.

**IMPORTANT:** Les bords avant des supports de fixation doivent être au même niveau et alignés.

- Si vous utilisez des cales d'écartement pour un dégagement supplémentaire, les cales d'écartement et les cales peuvent être empilées.
  - Un dégagement supplémentaire de 3,81 cm ( $1\frac{1}{2}$  po) est recommandé lors de l'utilisation de cales d'écartement et de cales.
- Fixez les cales d'écartement et les supports de fixation sur une surface de montage verticale à l'aide de vis de montage n°6 assez longues pour assurer une installation sécuritaire.
  - Le haut des cales d'écartement doit être à la hauteur désirée du store.
  - Si vous utilisez des supports d'extension, fixez un support de fixation sur la face inférieure de chaque support d'extension, à l'aide des vis et des écrous de verrouillage fournis.



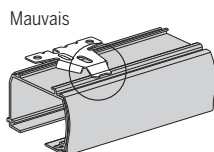
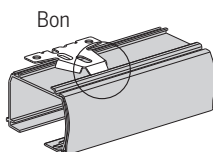
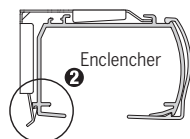
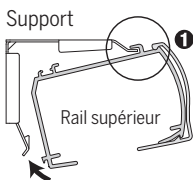
## INSTALLATION À L'EXTÉRIEUR DU CHÂSSIS (IEC)



### ÉTAPE 3: INSTALLATION DU STORE – MONTAGE DU RAIL SUPÉRIEUR

- Ajustez la rainure avant sur le dessus du rail supérieur sur le rebord avant des supports de fixation.
- Poussez le rail supérieur de haut en bas, jusqu'à ce qu'il s'enclenche.
- Assurez-vous que le rail supérieur est fixé solidement dans les supports.
  - Assurez-vous que le bas du rail supérieur est enclenché dans la base de chaque support.
  - Assurez-vous que le rebord avant de chaque support se situe dans la rainure avant du rail supérieur.
  - Si un support n'est pas installé correctement, enlevez le store et réinstallez. Consultez « Retirer le store (au besoin) » à la page 57.

Le devant du support se place sous la rainure.



## INSTALLATION SUR LE CÔTÉ

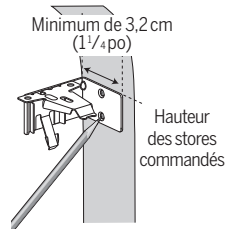
### ÉTAPE 1: MARQUAGE DE L'EMPLACEMENT DES SUPPORTS

Installez le rail supérieur aux extrémités lorsque des techniques de montage conventionnelles ne sont pas possibles – par exemple, dans le cadre d'une fenêtre en arche.

- Positionnez les supports pour installation aux extrémités de façon à ce que le dessus des supports de fixation soit à la hauteur du store commandé.

**IMPORTANT:** Les deux supports doivent être installés à la même profondeur et à la même hauteur.

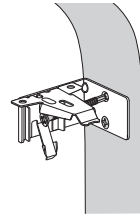
- Marquez les deux trous pour les vis.
  - La surface de montage doit être verticale et plane, elle ne doit pas faire partie d'une courbe en arche.



### ÉTAPE 2: INSTALLATION DES SUPPORTS

- Percez les trous à l'aide d'une mèche de 0,2 cm ( $3/32$  po).
- Fixez les supports pour installation aux extrémités à l'aide des vis à tête plate fournies.

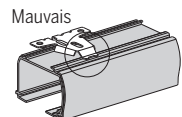
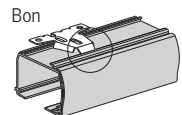
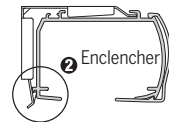
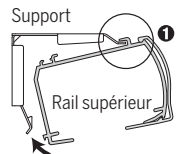
**REMARQUE:** Le montage dans les cloisons sèches n'est pas recommandé.



### ÉTAPE 3: INSTALLATION DU STORE – MONTAGE DU RAIL SUPÉRIEUR

- Ajustez la rainure avant sur le dessus du rail supérieur sur le rebord avant des supports de fixation.
- Poussez le rail supérieur de haut en bas, jusqu'à ce qu'il s'enclenche.
- Assurez-vous que le rail supérieur est fixé solidement dans les supports.
  - Assurez-vous que le bas du rail supérieur est enclenché dans la base de chaque support.
  - Assurez-vous que le rebord avant de chaque support se situe dans la rainure avant du rail supérieur.
  - Si un support n'est pas installé correctement, enlevez le store et réinstallez. Consultez « Retirer le store (au besoin) » à la page 57.

Le devant du support se place sous la rainure.



## FONCTIONNEMENT

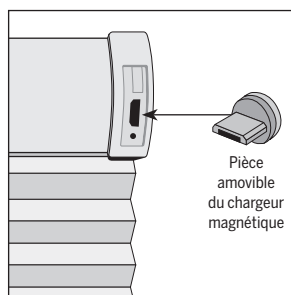
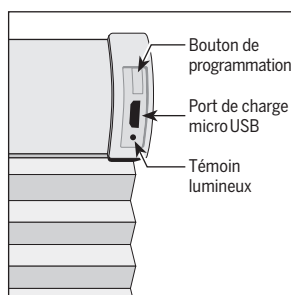
### FONCTIONNEMENT DE LA TÉLÉCOMMANDE

- Balayez le code pour le guide de la télécommande.



### BATTERY CHARGING

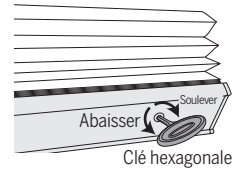
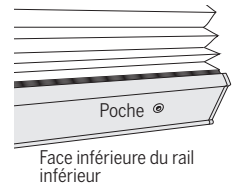
- La pile rechargeable est intégrée au caisson du store.
- Pour une charge normale, retirez la pièce insérée dans le chargeur magnétique du caisson. Utilisez le câble de chargement micro-USB et l'adaptateur d'alimentation pour charger le store.
- Un adaptateur de chargeur magnétique a été installé pendant la production pour faciliter l'accès au port de charge. Fixez l'adaptateur de chargeur magnétique au câble de chargement micro-USB et à l'adaptateur d'alimentation avant de le brancher sur le caisson pour la recharge.
- Voyant lumineux de l'état de la pile :
  - Faible (clignotement rouge)
  - En cours de chargement (clignotement vert)
  - Chargée (vert fixe)
- Il est recommandé de charger complètement le store avant la première utilisation.





## METTRE LE RAIL INFÉRIEUR À NIVEAU (AU BESOIN)

- Soulevez le rail inférieur pour localiser les poches sur la face inférieure du rail.
- Tirez doucement sur le rail inférieur pour insérer complètement la clé hexagonale de 0,3cm ( $\frac{1}{64}$  po) dans la poche. La clé est insérée complètement lorsque l'anneau de celle-ci est adossé sur la poche.
  - Soulevez légèrement le rail inférieur avant de tourner la clé hexagonale. Tournez la clé dans le sens des aiguilles d'une montre pour soulever ce côté du rail inférieur, ou dans le sens opposé des aiguilles d'une montre pour l'abaisser.
  - Un quart de tour de la clé équivaut environ à 0,6 cm ( $\frac{1}{4}$  po).

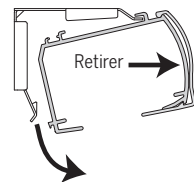
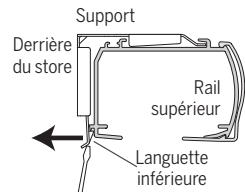


**IMPORTANT :** La clé hexagonale doit être complètement insérée pour éviter de décaper le mécanisme. Ne tirez pas sur le rail inférieur lorsque vous tournez la clé.

- S'il y a plus de deux poches, ajustez tout d'abord les poches extérieures. Ajustez ensuite les poches intérieures si nécessaire, pour maintenir une tension égale sur tout le rail inférieur. Une fois les ajustements des poches faits, il est recommandé de soulever et d'abaisser les stores pour s'assurer qu'ils sont à niveau.

## ENLEVER LE STORE (AU BESOIN)

- Abaissez le store d'environ 10 cm (4 po).
- Tout en maintenant en place le rail supérieur, poussez sur la languette inférieure du support de fixation pour relâcher le bord inférieur du rail supérieur.
- Après avoir relâché le bord inférieur, roulez l'arrière du rail supérieur vers le bas et à l'extérieur du support.



### PROCÉDURES DE NETTOYAGE

Toutes les toiles alvéolées LEVOLOR sont faites de polyester à 100 % et grâce à de nombreuses options de nettoyage, ces toiles faciles d'entretien conserveront leur belle apparence pour des années à venir.

**REMARQUE :** Évitez tout contact avec les produits de nettoyage de vitres. Un nettoyage inadéquat peut endommager la toile et annuler la garantie.



#### ÉPOUSSETAGE

Utilisez un plumeau pour le nettoyage régulier.



#### AIR PULSÉ

Soufflez la saleté et les débris en utilisant de l'air comprimé propre.



#### NETTOYAGE PROFESSIONNEL PAR INJECTION/EXTRACTION

Appelez un nettoyeur de store local qui injecte une solution de nettoyage dans le tissu et qui extrait simultanément la solution souillée. Ce service est généralement effectué à la maison; vous n'avez donc pas à enlever vos stores.



#### ASPIRATION

Utilisez un aspirateur à faible succion avec un accessoire de nettoyage muni d'une brosse; passez délicatement sur le store pour le nettoyer.



#### NETTOYAGE/ÉLIMINATION DES TACHES À LA MAISON

Utilisez de l'eau tiède et un savon doux, tel que Woolite® ou Scotchgard®, si nécessaire. N'immergez pas le store dans l'eau.

### Une remarque au sujet du tissu

Comme pour tous les textiles, les tissus alvéolés sont sujets à certaines variations. Un léger froissement, plissement ou nœud est inhérent à ce produit textile et devrait être considéré normal et de qualité acceptable. Ces caractéristiques ne sont habituellement pas visibles de l'avant ou de l'arrière, mais peuvent l'être de côté.

Des précautions devraient être prises pour réduire l'exposition aux éléments environnementaux agressants, notamment l'air salin. Une exposition continue à travers des fenêtres et des portes ouvertes accélérera la détérioration du tissu.

**REMARQUE :** Un nettoyage inadéquat pourrait annuler la garantie.

## DÉPANNAGE

Si votre store ne fonctionne pas correctement :

- Consultez tout d'abord le guide qui vient avec votre dispositif de commande.
- Reportez-vous aux procédures de dépannage suivantes pour trouver des solutions spécifiques à votre store.

Si vous avez d'autres questions, veuillez communiquer avec le service à la clientèle de LEVOLOR au 1800LEVOLOR ou 1800538-6567.

<b>Problème</b>	<b>Le store n'entre pas dans les supports de fixation.</b>
<b>Solution</b>	Assurez-vous que les supports de fixation sont au même niveau et alignés. Ajustez ou calez pour mettre à niveau, au besoin. Assurez-vous que la tête des vis de montage est égale au support de fixation. Assurez-vous que le tissu du store n'est pas coincé entre le support de fixation et le rail supérieur. Assurez-vous que le rail supérieur est complètement inséré dans les supports de fixation.
<b>Problème</b>	<b>Le store se soulève ou s'abaisse de façon inégale ou le rail inférieur est inégal lorsqu'il est complètement soulevé.</b>
<b>Solution</b>	Abaissez le store complètement afin qu'il s'auto-rétablitse. Assurez-vous que le rail supérieur et les supports de fixation sont au même niveau et alignés. Calez les supports de fixation pour mettre le rail supérieur à niveau, au besoin. Ajustez le rail inférieur. Consultez « <b>Mettre le rail inférieur à niveau (au besoin)</b> » à la page 57.

## GARANTIE

Pour obtenir tous les renseignements sur la garantie, visitez LEVOLOR.com ou appelez le service à la clientèle au 1800LEVOLOR ou au 1800538-6567.

## POUR NOUS JOINDRE

Pour communiquer avec le service à la clientèle de LEVOLOR ou pour toute question ou préoccupation concernant vos nouveaux stores, vous pouvez nous joindre au 1800LEVOLOR (de 9 h 00 à 18 h 00 HNE).

[www.LEVOLOR.com](http://www.LEVOLOR.com)

## PIÈCES ET SERVICES SUPPLÉMENTAIRES

Des pièces supplémentaires ou de rechange peuvent être commandées, ou les stores peuvent être réparés ou remplacés par notre centre de réparation. Veuillez communiquer avec le service à la clientèle de LEVOLOR au [www.LEVOLOR.com](http://www.LEVOLOR.com) pour obtenir un numéro d'autorisation de retour.

