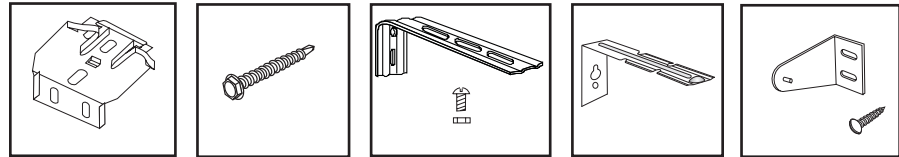


Getting Started

A few simple tools are required:

- Measuring tape
- Carpenters Level
- Power drill or Phillips head Screwdriver
- 1/4" Hex head and/or Phillips driver bit

Additional fasteners other than those sent with your shading may be required depending on the mounting surface. Wallboard and plaster require the use of anchors such as expansion or toggle bolts. Brick, tile or stone need special plugs and drill bits. Remember to always pre-drill holes in wood to avoid splitting.



Mounting Bracket 1 1/4" Hex Head Bracket Screw Headrail Extension Bracket Sidemount Bracket Hold Down Bracket (optional)

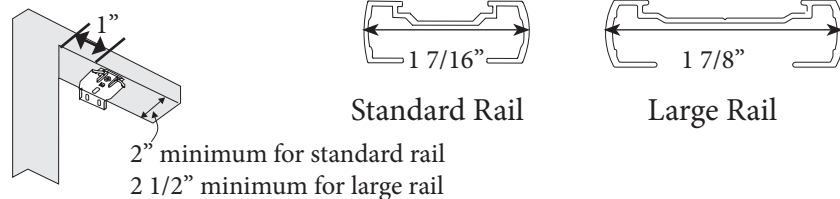
Step 1: Bracket Installation

End brackets should be located as close to each end as possible (edge of bracket approx. 1" from end). Depending on the width of the shade, additional brackets may be necessary evenly spaced between the two end brackets.

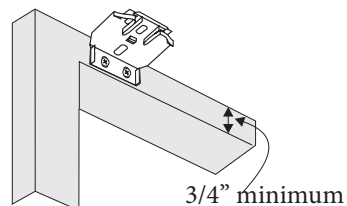
Shade Width	# of Brackets
Up to 40"	2
>40" - 72"	3
>72" - 84"	4
>84"	5

Using the Installation Bracket as a template, measure and mark the center lines. When mounting brackets, make sure they are in line and level.

INSIDE MOUNT

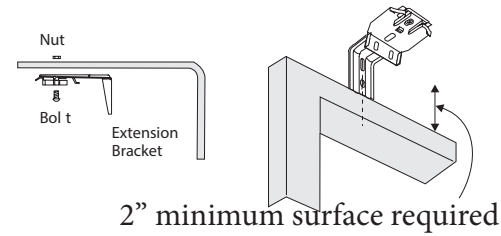


OUTSIDE MOUNT



EXTENSION BRACKETS (optional)

Optional Extension Brackets are used to project the back of the shade up to 2 1/2" from the mounting surface. Attach the Mounting Bracket to the Extension Bracket with the nut and bolt provided.



SIDE MOUNT (optional)

Line the bracket top with the desired height of the top of the headrail.

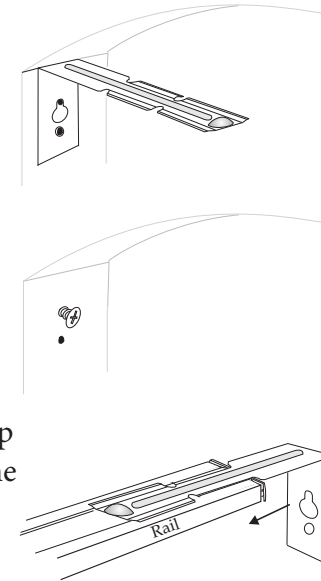
Mark holes for screws. Remove brackets and drill holes.

Insert screws for keyhole slots only. Approximately 1/8" of the screw should be left protruding.

Pull the endcap out of the headrail and slide the bracket on as shown. Replace the endcap and then slide the bracket all the way into the headrail.

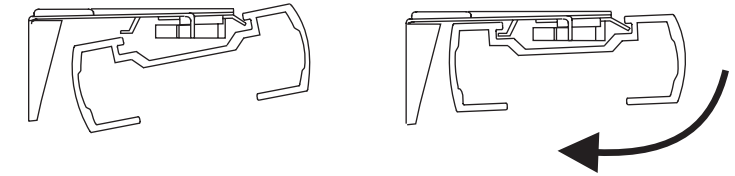
Install the second bracket in the same manner as the first bracket.

Hook one bracket onto the screw in the window frame, using the keyhole slot. Bring the other end bracket over the screw at the other side of the frame. Slide down, flexing bracket inward until the screw engages in the keyhole slot.



Step 2: Hanging the Shade

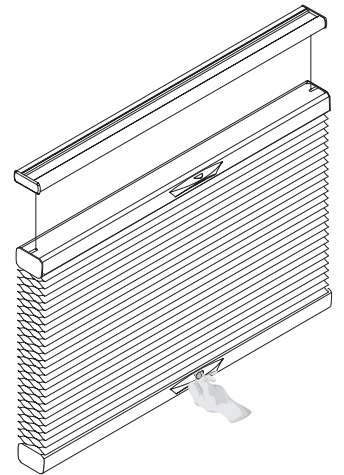
1. Hold the shade up near the brackets and insert the front clip of the bracket into the front groove of the rail.
2. Make sure the shade is centered in the window opening.
3. Push the rail back and up until the back clips of the bracket are inserted in the back groove of the rail.



To remove shade, reverse procedure.

Step 3: Operation

Press the button on the handle to raise or lower the moveable rails. The rails will stay in position when the button is released.

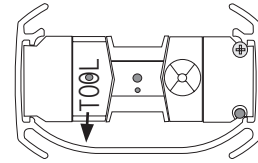


Step 4: Level the Moving Rail (If Necessary)

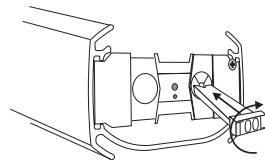
If the bottom rail or the middle moving rail of a top down/bottom up shade is not level, it can be adjusted by following the procedure below.

Remove the right endcap from the rail that is not level.

Pull out the section labeled TOOL.



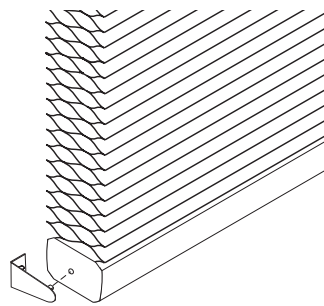
Push in on the adjustment screw with the tool and turn to adjust the rail.



When the rail is level, replace the tool and the endcap.

Step 5: Hold Down Installation (optional)

Optional Hold Down Brackets are mounted with the supplied screws. With the shade at its proper drop, place the pin of each Hold Down into the hole in each End Cap and mark the screw holes. Make sure the pins are level and aligned. Remove the pins from the endcaps. Raise the shade, then screw the Hold Down Brackets into the mounting surface. Lower the shade. Slightly flex the holddown brackets to insert the pins into the endcaps.

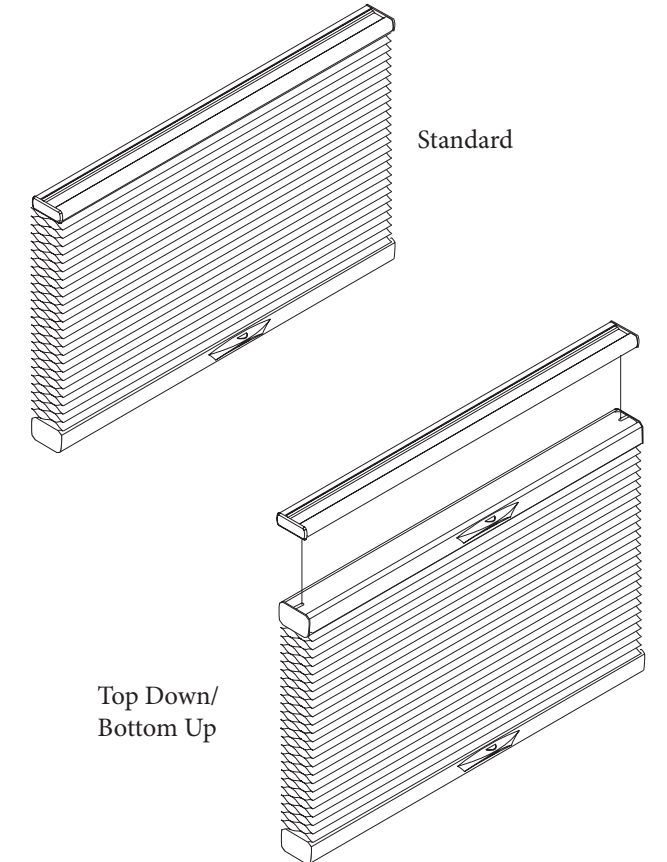


Cleaning and Care

The Shade fabric is easy to care for. Regular dusting with a feather duster or vacuum cleaner brush is recommended. Most stains can be blotted with a damp sponge and mild detergent. Before using anything stronger than mild detergent and lukewarm water, test an unobtrusive corner of the shade. If you have any questions, call your dealer for advice.



Cellular Push Button Cordless



Installation Instructions

Our window fashions represent a design breakthrough in style, efficiency and function. Our Cellular shades feature 100% non-woven polyester fabric providing a soft diffused light and high level of privacy. The unique hardware system is designed to provide years of reliable service when properly installed.

Please take a few minutes to read through these instructions before beginning.