

Prepare the Stand-Alone Arch

The arch fabric and filler strip are attached to the rail.

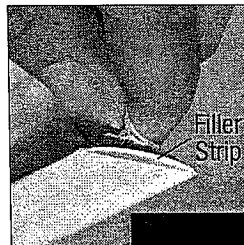
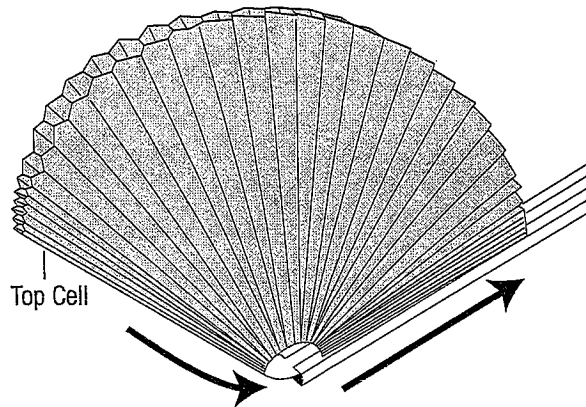
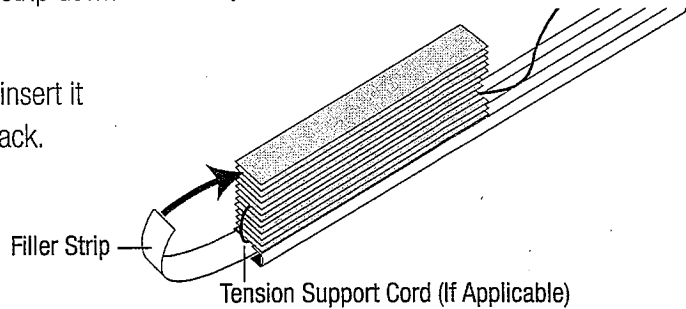
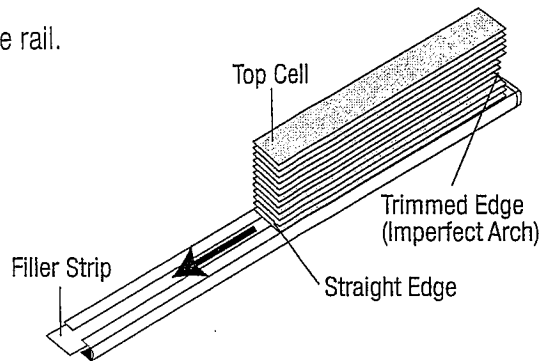
- Remove the left end cap from the rail.

NOTE: On an imperfect arch, one edge of the fabric stack will be straight and even, the other edge will be trimmed and uneven.

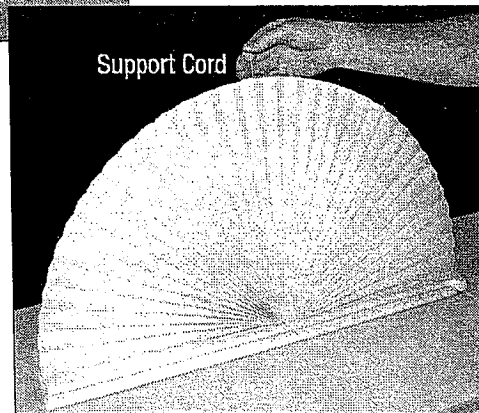
- Slide the fabric stack and filler strip down toward the left side of the rail.
- Gently bend the filler strip and insert it into the top cell of the fabric stack.

IMPORTANT: If a tension support cord was included with your arch, be careful not to pull out the cord from the cell it is threaded through. If necessary, rethread the support cord through the center cell of the arch.

- Fan out the fabric and slide the top cell into the fabric channels of the rail.



into the rail. See photo.

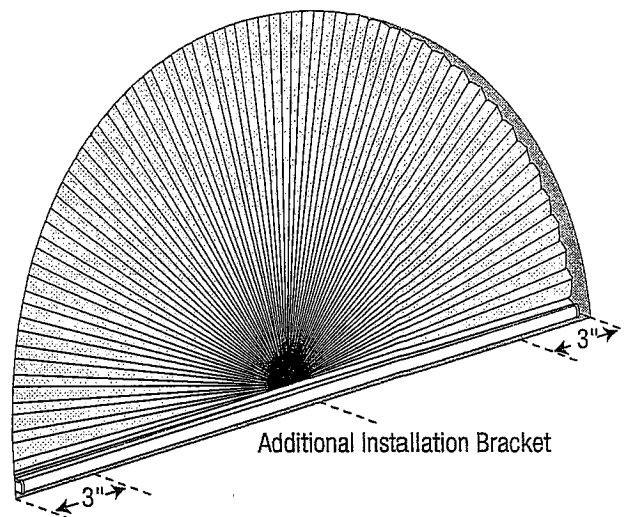


STAND-ALONE ARCH

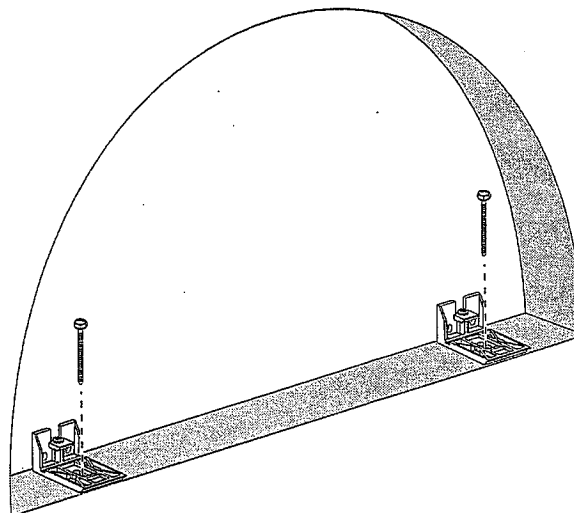
Mount the Installation Brackets — Inside Mount

- Your order will include installation brackets specific to your pleat size.
 - The number of installation brackets required varies with headrail width, as shown in the table.
- Place the rail on the mounting surface. Mark installation bracket locations 3" in from each end of the headrail.
 - If more than two installation brackets came with your order, space additional bracket marks evenly between the two end marks. Mount into wood whenever possible.

Shade Width	Brackets Required
12" – 31"	2
31 ⁷ / ₈ " – 60"	3
60 ¹ / ₈ " – 84"	4



- Center the brackets on your marks with the longer side of the bracket against the mounting surface and the tab screw or shorter side facing up. Mark the screw holes.



SUPPORT CLIP OR HOOK INSTALLATION

Attach Support Clips or Hooks

Arch Support Clips are used to keep the shade from falling against the window or out of (or away from) the window frame. Arch support clips can be used for inside or outside mounting applications.

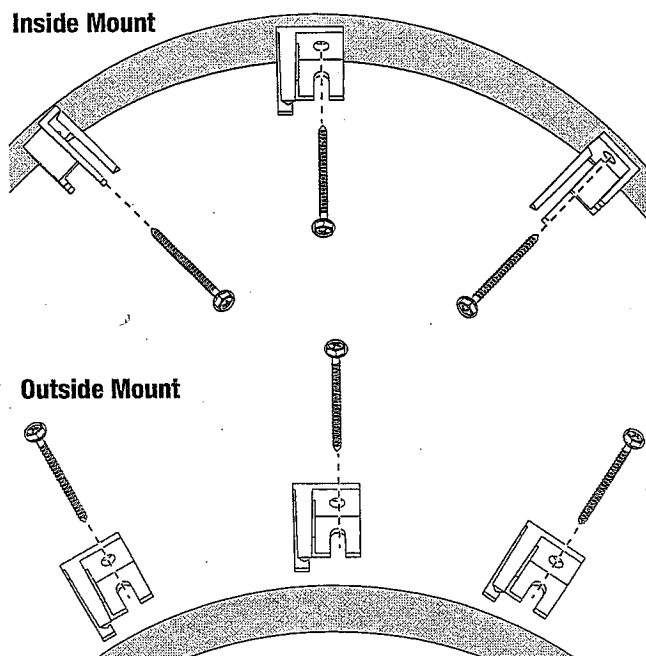
Arch Support Hooks provide the same function as arch clips in addition to actual support of the shade fabric. Arch support hooks can only be used for inside mounting applications.

IMPORTANT: The correct number of arch support clips or arch support hooks were shipped with your shade.

IMPORTANT: With the shade installed, mark the correct depth or placement of the arch support clips or hooks. Remove the shade before installing the clips or hooks.

Install the Arch Support Clips (If Applicable)

- Attach clips to the mounting surface through the hole in the top of the clip (for inside mounts) or through the slot at the back of the clip (for outside mounts).
- Install the first clip at the top of the arch above the center cell of the fabric.
- If necessary, space additional clips evenly along the arch so the clips are spaced no more than 19" apart.



Install the Arch Support Hooks (If Applicable)

- Count the number of hooks supplied to support your shade.
 - **Odd Number of Hooks:** Position the first hook at the top center of the window opening. Position the next two hooks at 45° from the center hook. Space the remaining hooks evenly. Do not position the hooks lower than 45° from the bottom of the arch.
 - **Even Number of Hooks:** Position the first two hooks at a 45° angle from the bottom center of the arch. Space the remaining hooks evenly.

