

CONTENTS

Getting Started

- Tools needed ----- 1
- Considerations prior to install ----- 1
- Parts included in your package ---- 1

Installation:

- Mounting the Brackets ----- 2
- Installing the Motorization Wand -- 3
- Installing the Shade ----- 3

Operating the Wand

- UP/STOP/DOWN ----- 4
- Charging the Shade ----- 4
- Configuring your Shade ----- 5

Child Safety

- Warning ----- 7
- Warranty ----- 7

Questions?

- 1.888.257.1840
- contact@selectblinds.com

Thank you for choosing our Cellular Shade for your Home or Office.

We are confident that you will find these cellular shades to be of superior quality and value, compared to other shades available .

In this guide, you will find useful information about installation, child safety, cleaning and warranty when using our shades.

READ ALL INSTALLATION INSTRUCTIONS BEFORE INSTALLATION

Contacting Us

To contact Select Blinds regarding any question or concerns about your product, you may reach us at:

1.888.257.1840

customercare@selectblinds.com

SUGGESTED TOOLS (not included)



DRILL

1/16" drill bit, and 1/4" hex driver



SCREWDRIVER

Flat blade, Phillips, or 1/4" hex driver



LEVEL



TAPE MEASURE



PENCIL



LADDER

THINGS TO CONSIDER BEFORE YOU BEGIN YOUR INSTALLATION

Your new shade is custom made to your specifications from the finest fabrics available. The installation should be easy and your shade will look elegant.

Mounting Options

- **Inside mount:** Shade is mounted inside to the top of the window frame.
- **Outside mount:** Shade is mounted either on or outside the window frame.

NOTE:

- Mounting screws provided are suitable for most mounting surfaces. See below for additional suggestions.
- For wallboard or plaster: Use hollow wall anchors for added support. (not included)
- For concrete, stone, brick or tile: Use an appropriate drill and appropriate anchors before fastening the screws. (not included)
- For metal surfaces: Pre-drill holes and use appropriate anchors before fastening the screws. (not included)

Motorized Wand

Before the use of the shade, make sure the wand is attached to the headrail. If it is not, unpack the wand and hook onto the provided location.

Plug the Micro USB into the port at the end of the headrail. (see illustration 5)

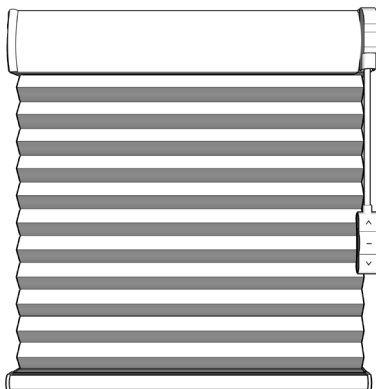
You will need to charge your shade before continuous use of the shade.

NOTE:

- We suggest that you charge the shade prior to installation.

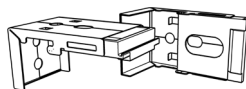
INCLUDED IN YOUR PACKAGE

Motorized Cellular Shade



Spring Brackets

Quantity: if applicable
The wider the shade the more brackets



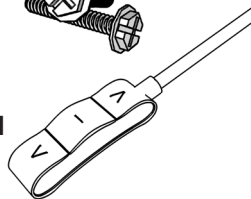
Screws

Quantity: 2 per packet



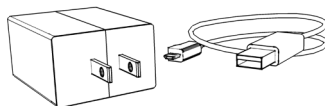
Motorization Wand

Quantity: 1 per shade

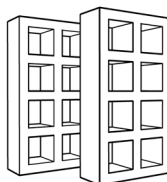


Charging Brick / Micro USB

Quantity: 1 (6' cable provided) per 2 shades



OPTIONAL PARTS



Spacer Blocks
Use with spring brackets for shades that need more space between the wall.

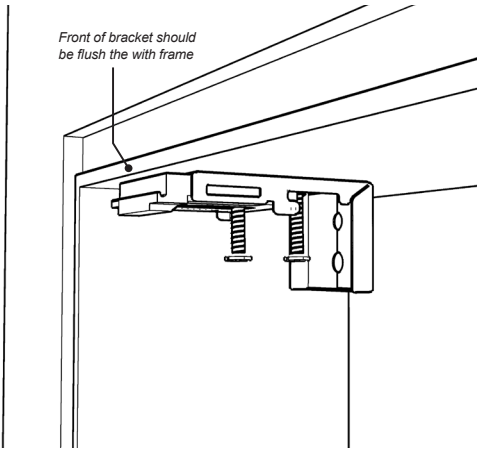
(upon request)

1 MOUNTING BRACKETS

Using 2 screws per Spring Bracket, fasten the brackets to the mounting surface. Always use 2 screws.

Using Spring Brackets

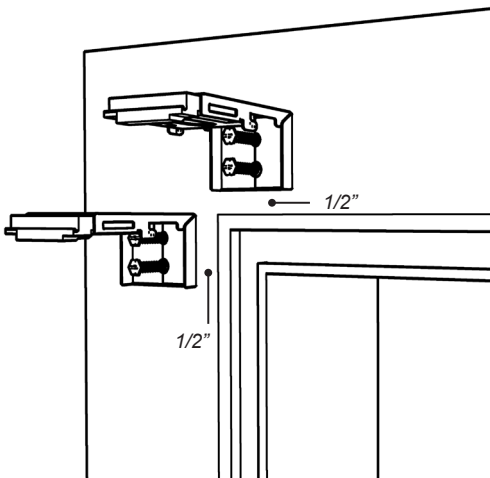
Inside mount: Mount brackets 3-6 inches away from the edges of the product depending on the overall width of the shade.



Outside Mount: Outside edge of the brackets should be positioned at least 1/2" to the outside of the headrails end mark. Use wall anchors for a secure hold. Mark the position of the bracket as illustrated.

Bracket Position
At least 1/2" from top and
Side of window frame

Wall
(Above Frame)



2



MOTORIZED NOTES

NOTE:

- Make sure to read illustration 3-4 for the best installation of your Shade.
- If the wand is longer than the shade in width then the wand will be wrapped separately from the shade. Un-wrap the wand and hook the top of the wand into the hook provided in the front of the shade. Plug the Micro USB connection into the provided port. (see illustration 5)

NOTE:

It is suggested to charge the battery overnight (7 hours for a full charge) before continued use of the Shade. Use the 10' USB cable that comes provided to charge the shade. This cable can be plugged into the back of the wand at any time to charge the shade. The Shade is functional while in charging mode. (see illustration 6)

NOTE:

Contact Select Blinds for more information regarding this motorized product.

Phone: 1.888.257.1840

Email: contact@selectblinds.com

**IT IS HIGHLY
SUGGESTED THAT
YOU CHARGE THE
BATTERY PRIOR TO
INSTALLATION**

PLUGGING THE WAND INTO THE CELLULAR SHADE

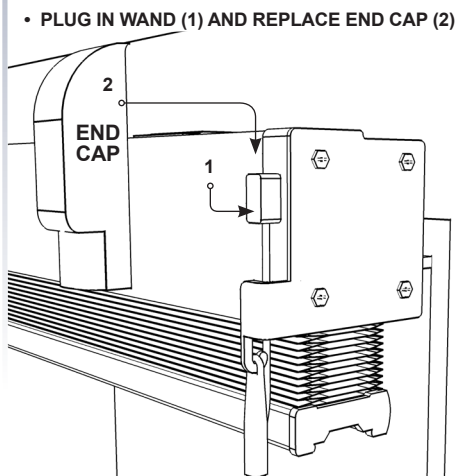
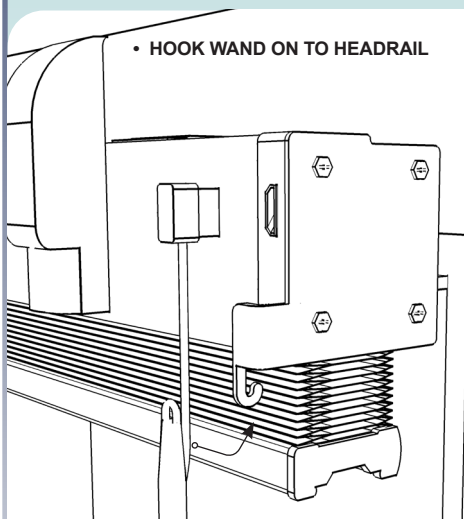
It is suggested to charge the battery overnight before continued uses of the Shade. Use the 6' USB cable that comes provided (per 2 shades) to charge the shade.

The wand control Micro USB Cable plugs into the top of the headrail.

(see images for example of installation)

There is a Micro USB charge port at the back of the wand for easy access to charging your shade post installation. (see pg. 6 for a diagram of the Wand)

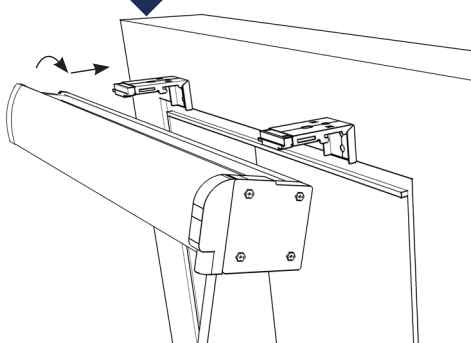
(see illustration 6)



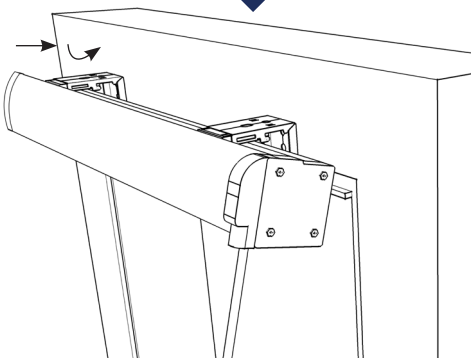
INSTALLING THE SHADE INTO THE BRACKETS

Install each Spring Bracket with 2 screws. Slide headrail into the brackets on an angled up motion and push headrail to compress the springs. Angle the headrail forward once you can no longer squeeze anymore and snap shade securely.

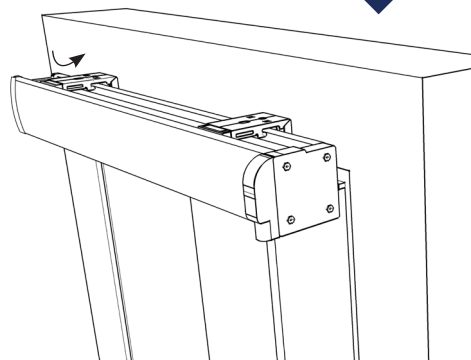
angle headrail up prior to installing cellular shade



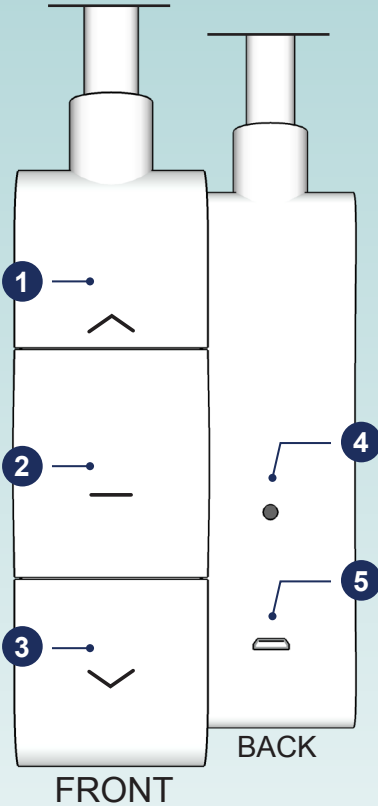
push shade into spring brackets till springs compress



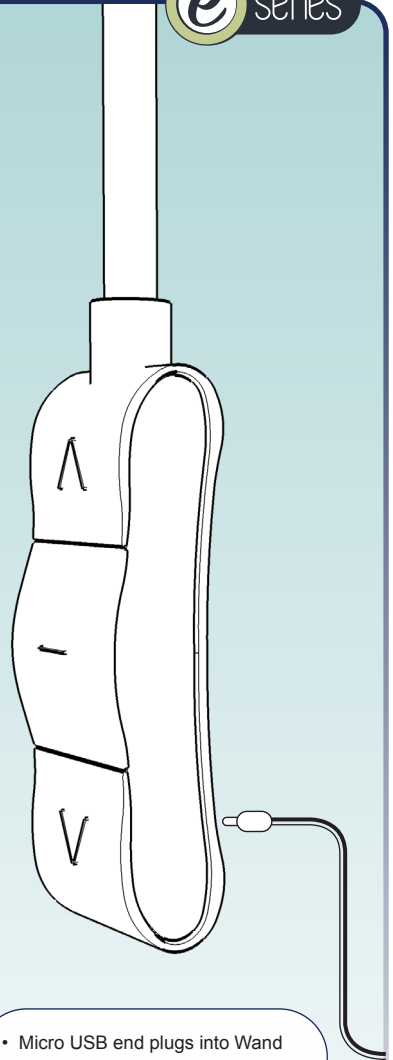
angle shade and it will snap into place



MOTORIZED WAND



- 1 UP Button
- 2 STOP Button
- 3 DOWN Button
- 4 SETTING Key/Button
- 5 Micro USB Charge Port



- Micro USB end plugs into Wand

FUNCTION INSTRUCTIONS

Top to Bottom / Bottom to Top:

- Send the shade from the Open Position to the Closed Position (press **DOWN** Button)
- Send the shade from the Closed Position to the Open Position (press **UP** Button)
- Stop the shade at a specified height when in the Open or Closing Motion (press **STOP** Button)

(see illustration 5 for button layout)



CONFIGURING YOUR CELLULAR SHADE

NOTICE: ALL SHADES COME PRE-PROGRAMMED FROM THE FACTORY. THIS GUIDE SERVES AS A TROUBLESHOOTING AID. IF THE CONSUMER RESETS THE PROGRAMMING, TECHNICAL SUPPORT WILL BE AT THE DISCRETION OF THE MANUFACTURER.

If your shade is not functioning properly, check the connections between the wand, motor, and battery. If the motor isn't running properly the limit setting needs to be reset. Please use a paperclip to press the **SETTING** button on the back of the wand to perform many of the steps below.

Changing Direction

To change the direction of motor rotation:

1. Press the **UP** button to determine if the direction needs to be changed. If the motor goes up, do nothing. If the motor goes down, continue to the next step.
2. Using a paper clip press and hold the **SETTING** button and the **STOP** button. Release both buttons when the motor beeps.
3. Press the **UP** button. If the motor goes up, the rotation direction has been reversed.

Setting Lift Heights

This process requires setting both the Top Height and the Bottom Height back to back for the process to function correctly.

Bottom Height Setting:

1. Press and hold the **SETTING** button on the back of the wand. Release when the motor beeps.
2. Press the **DOWN** button. The motor will descend down. Press the **STOP** button at the desired bottom height.
3. Use **UP** or **DOWN** to make any small adjustments for the final bottom position.
4. Press the **SETTING** button. The motor will beep indicating the bottom height has been set.

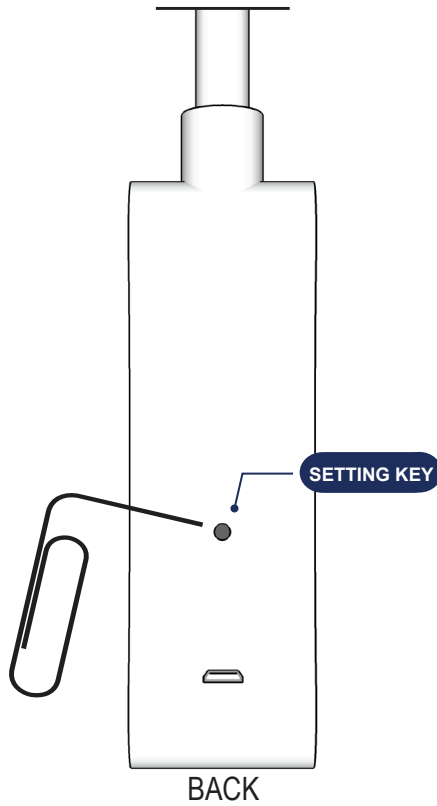
Top Height Setting (Immediately After Setting Bottom Height):

1. Press the **UP** button. The motor will begin to rise.
2. Press the **STOP** button at the desired top height.
3. Press the **UP** and **DOWN** buttons to make any small adjustments for the final top position.
4. Press the **SETTING** button. The motor will beep indicating the top height has been set.

Setting A Favorite Position

You can use this function to set a favorite position somewhere between fully open and fully closed as a favorite position. To set the position follow these steps:

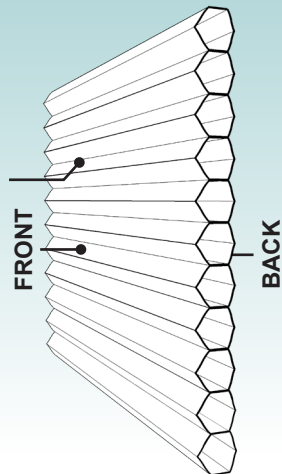
1. Press the **UP** or **DOWN** button to move the shade toward your desired favorite position. Press the **STOP** button once the position is reached.
2. Press and hold the **SETTING** and **UP** buttons until you hear the motor beep. The favorite position is now set.
3. Press and hold the **STOP** button until the shade begins to full move. The motor will take the shade to the favorite position from any starting point.



The use of a paper clip or spludger when accessing the **SETTING KEY** is recommended to access certain functions of the cellular shade.

FACTS ABOUT YOUR CELLULAR SHADE:

- **The Cells:** Because of the D-shaped design, the fabric will maintain its pleated design no matter how long it is used, within warranty specifications.
- **Light Filtering Fabric:** Light Filtering Fabric softens the light distributed through the room.
- **Room Darkening Fabric:** The internal layer of aluminum within the cell blocks up to 99% of outside light.
- **Structure of the Cell:** The hollow structure of the cell promotes energy efficiency and keeps sound entering at a softer volume.



THIS PRODUCT IS...



WARNING

Young children can **STRANGLE** in cord and bead chain loops and in the loop(s) above the cord connector. They can also wrap cords around their necks and **STRANGLE**.



- Always keep cords and bead chains out of children's reach.
- Move cribs, playpens, and other furniture away from cords and bead chains. Children can climb furniture to get to cords.

CHOKING HAZARD

- Keep cord out of reach from children.
- Remove objects below window.
- Do not tie cords together.
- Make sure safety cords are located 1-2 inches below the headrail.
- Please reference all warning tags in the instructions and on the shade.
- Please keep cords out of children and pets reach, a cord cleat or a cord tensioner device can be found at a local window covering store.

EMERGENCY FIRST AID FOR STRANGULATION



- Remove cord from child's neck
- Call 911 or an emergency Call Center
- Clear the throat
- Check breathing and heartbeat
- Begin CPR if trained

NOTE:

The Warning labels on the bottom-rails of corded window coverings contain important safety information. These warning labels are designed to be permanent, in accordance with the industry's safety standards, and must not be removed.

WARRANTY:

We offer a 2 year warranty on the Cellular E-Series motor and controls. Specifically, we warrant the Cellular E-Series motor and wand control to be free from defects in material and workmanship under normal and proper use for a period of 2 years commencing with the date stamped on each product. If the product fails within this 2 year period, we will repair or replace it free of charge through your end product supplier. Batteries are not covered by the warranty.